

**TECHNICAL DATA**

**Power**

Voltage range  
 Max power consumption  
 Frequency  
 Current Consumption  
 Conductor cross section (stranded)  
 Conductor cross section (solid)

**W-DALI NODE**

216-253VAC  
 <1W\*  
 50Hz  
 <5mA  
 0.5-2.5mm<sup>2</sup> ■  
 0.5-4mm<sup>2</sup> ■

**W-DALI DIN RAIL**

12-24VDC / 24VAC +/-10%  
 <1W  
 50Hz  
 <100mA  
 0.2-2.5mm<sup>2</sup> ■  
 0.2-2.5mm<sup>2</sup> ■

**DALI**

DALI PSU guaranteed current  
 DALI PSU max current  
 Max number of DALI units on bus  
 Max DALI bus current consumption  
 DALI start up time  
 Conductor cross section (stranded)  
 Conductor cross section (solid)

30mA  
 40mA  
 10  
 –  
 –  
 0.5-2.5mm<sup>2</sup> ■  
 0.5-4mm<sup>2</sup> ■

–  
 –  
 –  
 120mA  
 <5s  
 0.5-2.5mm<sup>2</sup> ■  
 0.5-2.5mm<sup>2</sup> ■

**Environment**

Ambient temperature range  
 Storage temperature range  
 Humidity (non-condensing)

-20 - +55 °C  
 -30 - +80 °C  
 10-95%

-20 - +55 °C  
 -30 - +80 °C  
 10-95%

**Mechanical**

Dimensions  
 Weight  
 Protection level

46x46x21mm  
 21g  
 IP20

36x93x59mm (excluding antenna)  
 75g  
 IP20

\* with full DALI PSU load

# W-DALI



Scan for additional information

[www.lumenradio.com](http://www.lumenradio.com)

**SAFETY**

Only qualified electricians may perform installations with this product. Always follow local electrical code and regulations.

Insulation classification: Basic insulation between DALI terminal and all other terminals.

If W-DALI DIN RAIL is installed using an isolated AC or DC supply, this must be in accordance with IEC 61558-1 and applicable part 2 of IEC 61558.

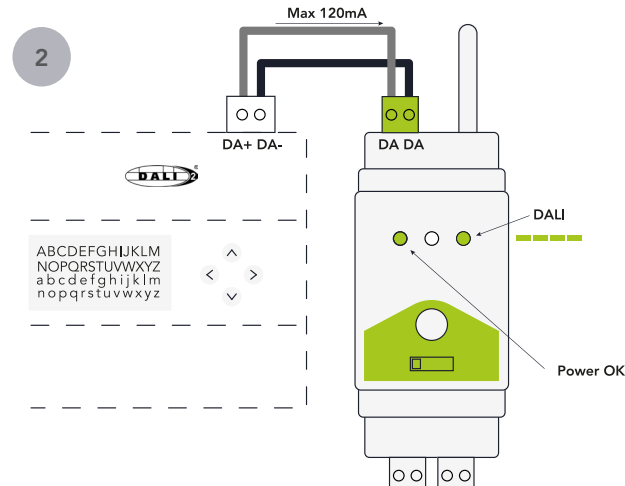
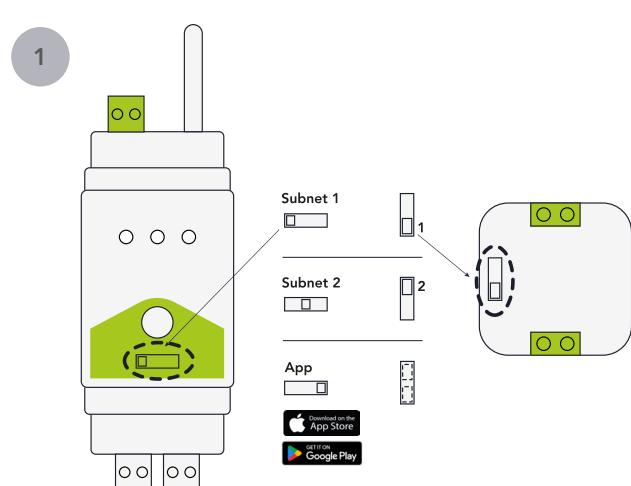
Do not use the product if the product is damaged. Only use cables within the spe-cified conductor sizes.

**MANUFACTURER**

LumenRadio AB  
 Johan Willins gata 6  
 416 64 Gothenburg  
 Sweden

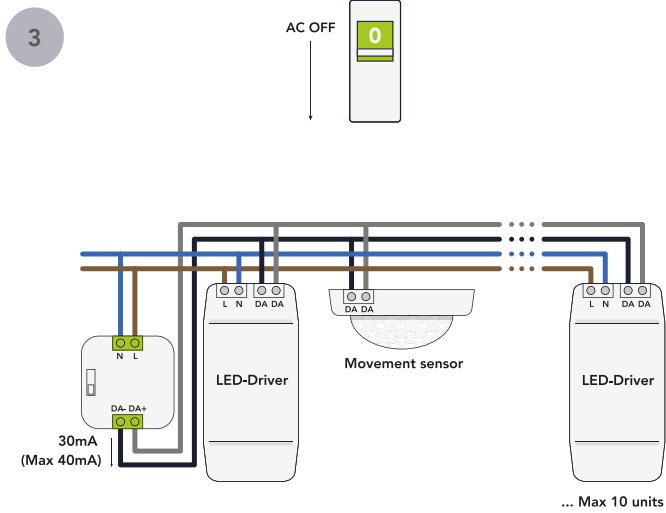


Follow these steps to setup W-DALI once before DALI commissioning. DALI addressing is not part of this setup process.



Configure the W-DALI DIN rail and nodes to the same subnet, or alternatively, use the app mode for setup. If the app is used the subnet on the W-DALI nodes can be in any position.

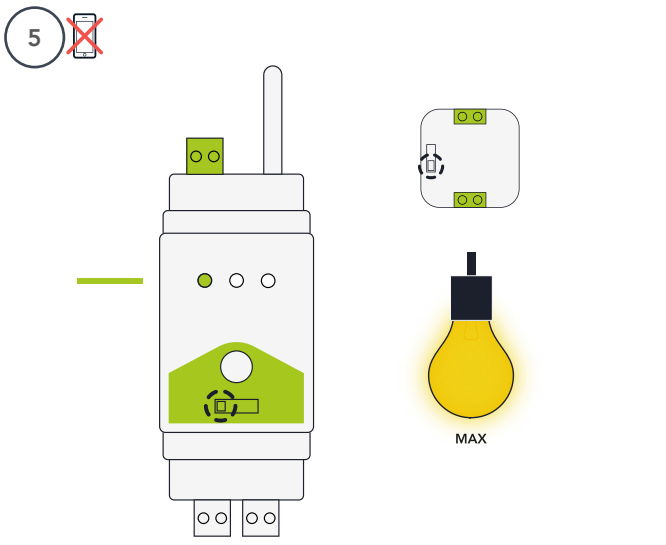
Install W-DALI DIN rail.



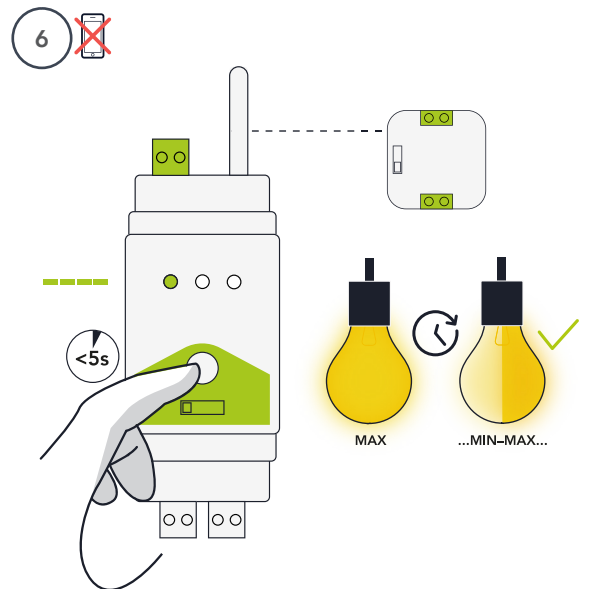
Disconnect the power before installing W-DALI nodes and DALI devices.



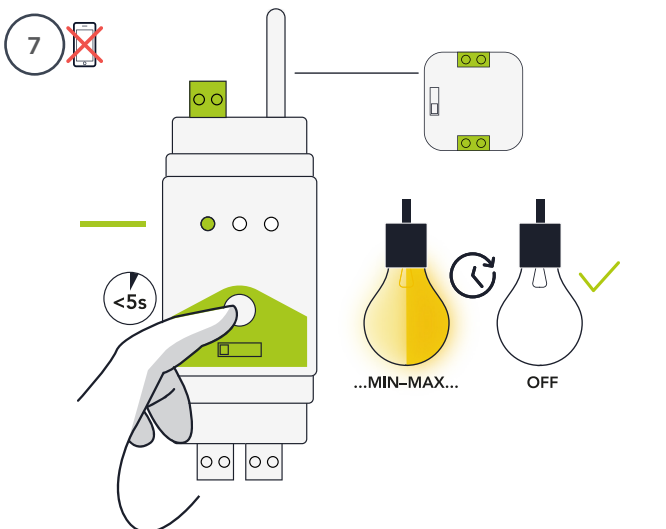
Turn on the power and proceed with either manual setup or app-based configuration.



Make sure that the subnet match on the DIN rail and the nodes that should be linked. When the nodes are unlinked the intensity of the light output is on max.



Press the button on the DIN rail to initiate the setup of W-DALI. Wait for the nodes to join the mesh network.



Press the button on the DIN rail to establish a secure connection. Wait for the nodes to join the secure mesh network.



Press the button on the DIN rail to be able to connect to the W-DALI app within 1 minute. Use the app to find W-DALI nodes in range and add them to the DIN rail. Nodes will automatically establish a connection within a few minutes.