



Video Lighting Controller Plus

The Pharos VLC+ (Video Lighting Controller Plus) is designed to control the world's largest lighting façade projects. It renders multiple layers of effects and video from internal storage or live input and features processing, including rotation and masking. Up to 3,000 universes of eDMX and DVI-D can be output from a single unit with integrated show control.



VLC+ Features



Designer Engine

Make your light fixtures a canvas onto which you can paint with a compositions of creative effects and full HD video playback, including dynamic rotation, translation and masking. The Designer software allows you to build your fixture layout fast with pixel-precise adjustment. Then use individually controllable and independently running timelines to build dynamic, striking, pre-programmed lighting displays across your canvas.



Designer Trigger

Timing is everything. Whatever the stimulus, Designer Trigger can handle it. You can control your lighting with responsive, reactive programming. Designer Trigger is a rules engine that uses conditional logic and a broad range of interfaces and protocols. Send and receive any command, to and from any system. Conditional logic is supported, along with a powerful built-in scripting language for unlimited flexibility.



High Capacity

Big just got a whole lot easier. The VLC+ can output all commonly used eDMX protocols over Gigabit Ethernet as well as providing its full canvas over DVI-D, and there are no restrictions on using these protocols simultaneously. The VLC+ renders effects and video from internal storage or live input onto a canvas up to 16,000 pixels wide or high, and can output up to 3,000 universes of eDMX from a single unit. This can integrate well with the EDN20, which allows 20 universes of eDMX per node.



High Definition

Live video can be captured on the DVI-D input at resolutions up to 1080p60. Dual 1080p30 internal playback means two full HD streams can be played, and cross-faded seamlessly into two further streams. In total, up to eight players are available, subject to performance limitations. Support for all major formats such as H.264/MPEG-4 AVC, MJPEG and QuickTime with the built-in 512GB SSD provides plenty of capacity for media storage.



Pharos Designer

Programmed and configured using the free Pharos Designer software – available for Windows or Mac OS X – with upload over Ethernet.



Reliable

Hardware and firmware are self-sufficient, so no PC needs to be left on site. Rugged, compact unit designed for 24/7 operation and reliability.



Custom Interfaces

Create a custom web interface for your installation that gives your users the control they need and the look they expect. Our built-in web server supports an extensive JavaScript API and access control with multiple user levels.



Ease of Use

Easily build huge lighting projects with powerful Pharos Designer features such as fixture template – a tool that enables you to create a composite fixture that is an arrangement of any single-element library fixture, allowing strings and tiles to be built up from individual nodes into reusable templates to speed up commissioning.



Remote Management

Future-proof your lighting projects by connecting your Designer controllers to Pharos Cloud. This allows direct control of your Controllers from anywhere in the world, letting you check all of your Controllers' statuses, inputs and outputs, firing triggers, scheduling events, uploading new projects and much more. All Designer Controllers also have their own Web Interface that can be accessed on a local area network that provides real-time statuses, access to the full log and the ability to fire triggers on the controller.



Scalable

The right fit for every installation. Multiple Pharos Designer Controllers can be seamlessly linked together to work as one via a standard Ethernet network giving impressive scalability. For additional integration options simply add Remote Devices to further extend the network. Whether one Controller or many, it's all easily programmed using our Designer software.



Supported Fixtures

LEDs	RGB, RGBA, RGBW, RGBAW and W in any colour order, 8-bit or 16-bit
Fixture Library	Pharos offers a cloud library with over 20,000 fixture profiles, for easy download of your luminaires

Output

sACN	USITT E1.31 (with per fixture priority)
Art-Net	Art-Net I, Art-Net II and Art-Net 3. Configurable broadcast override
KiNET	KiNET V1 (DMX out) and V2 (Port out); PDS/Data Enabler discovery
Pathport	Pathway Connectivity protocol
DMX512	Via the EDN or any other eDMX node
Scalable	Synchronises with up to 40 Pharos Designer Controllers over network
Simultaneous	Multiple protocols can be in operation simultaneously. Limited by patched channels, not universes used
EDN	Can natively integrate with and output DMX through the ports of the EDN
SPI	Supports synchronous and asynchronous serial data output via the EDN+SDI
Audio Out	Audio Output with two audio layers; a background layer for ongoing audio, and an alert layer for high-priority overriding

Triggering & Integration

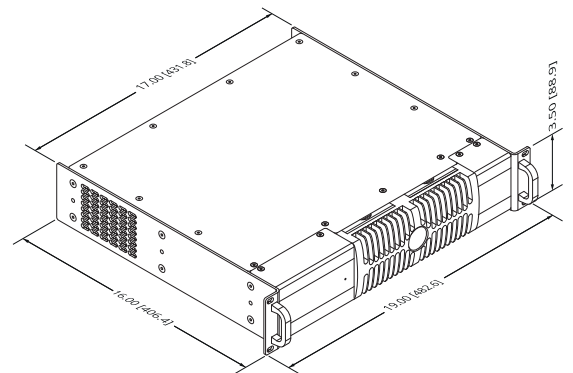
Startup	Commences playback automatically on receiving power
Clock	Battery-backed real-time clock for calendar and time-based triggers
Astronomical	Sunrise/Sunset/Twilight and Lunar phases
Ethernet	UDP, TCP, Multicast; send/receive any Ethernet message
RS232 Serial	Configurable port; send/receive free syntax in ASCII, HEX or decimal
RS485 Serial	Via RIO; configurable port; send/receive free syntax in ASCII, HEX or decimal
eDMX	sACN or Art-Net
Inputs	Contact closure, active low, active high or 0-24V analog level via RIOs
Outputs	Isolated relay outputs (48V 250mA) via RIOs
MIDI	MIDI Notes, SysEx or Timecode via RIO A
Timecode	Linear Timecode via RIO A (SMPTE, Film, EBU, NTSC)
Audio Level	Stereo 30-band spectrum analysis via RIO A
DALI	Trigger on any message, via RIO D
Web Interface	Built-in or custom designed
Wall Stations	Integrate with BPS, TPS or TPC
Conditions	Full conditional logic support
Scripting	Lua scripting for total flexibility
Scalable	Supports Pharos Designer Remote Devices
IO Modules	Supports our extensive IO Module library for easy integration

Interfaces

Ethernet	Neutrik etherCon (RJ45 compatible) for 10/100/1000Base-TX Ethernet; Static IP or DHCP
eDMX	Dedicated Ethernet port for eDMX; Neutrik etherCon (RJ45 compatible) for 10/100/1000Base-TX Ethernet; Static IP or DHCP
DVI-D Input	Video input to capture resolutions up to 1080p60
DVI-I Output	DVI-I output (for future development)
Serial	RS232 via DB9 connector
USB	Two USB 2.0 Type A ports (for future development)
Audio Outputs	Stereo analog & digital audio ports

Specifications

Power	100-240VAC / 50-60HZ / 0.4-0.2A 40W typical (50W maximum) IEC connector with switch * * Power cable not supplied
Data Storage	Internal 512GB SSD (supplied)
Configuration	Pharos Designer 2.5 or later
Temperature	0°C to 50°C (32°F to 122°F)
Humidity	10-50% relative, non-condensing
Ingress	IP40
Physical	19" rack unit, 2U, 16" deep 3.1 kg (6.8 lbs) 0.5 kg (1.1 lbs)
Shipping	57 x 45 x 18 cm (22" x 18" x 7") 5.0 kg (11 lbs)
Recovery	Hardware watchdog and recessed reset button



Order Code & Variants

VLC+ 50	Designer Video Lighting Controller Plus 50 (25,600 channels eDMX)
VLC+ 100	Designer Video Lighting Controller Plus 100 (51,200 channels eDMX)
VLC+ 250	Designer Video Lighting Controller Plus 250 (128,000 channels eDMX)
VLC+ 500	Designer Video Lighting Controller Plus 500 (256,000 channels eDMX)
VLC+ 1000	Designer Video Lighting Controller Plus 1000 (512,000 channels eDMX)
VLC+ 1500	Designer Video Lighting Controller Plus 1500 (768,000 channels eDMX)
VLC+ 3000	Designer Video Lighting Controller Plus 3000 (1,536,000 channels eDMX)

Warranty & Certifications

Warranty	5 years
Certifications	CE compliant, UKCA compliant, ETL/cETL listed, may be used as part of a Title 24 compliant lighting control system.

