

# VIA DIN-MOUNT ENTERTAINMENT ETHERNET SWITCH



Models shown: 1. PWWIA DIN P8 RJ45 SFPSLOT POE  
2. PWWIA DIN P16 RJ45 SFPSLOT POE

## WARRANTY

3-year limited warranty. Complete warranty terms located at:  
<https://www.acuitybrands.com/support/warranty>

## NOTE

Actual performance may differ as a result of end-user environment and application. Specifications subject to change without notice.



VIA switches support  
SixEye cloud-based  
remote management

## OVERVIEW

The VIA™ series of Ethernet Switches are designed specifically for lighting, sound and video signal distribution in all entertainment production systems, including live shows.

Unlike switches designed and marketed for office and communication applications, VIA switches are convection cooled and ship unmanaged, pre-configured and optimized for entertainment network use.

Advanced management features, including VLAN Support, EAPS Ring Protection, IGMP, and more are enabled and configured through the free downloadable software, Pathscape. Port LEDs provide instant confirmation of port PoE and Link activity.

The VIA DIN-mount Ethernet Switches provide all the same robust features of our Rack-mount Switches but in a convenient, more compact, DIN-mountable form factor, suitable for permanent installation.

## FEATURES

- 8 or 16 RJ45 Ethernet ports
- 8 Ports [P8 Model] or 12 Ports [P16 Model] support PoE
- Port speeds are 10/100/1000Base-T [P8 model], or 10/100Base-T [P16 model]
- Two mini-GBIC ports for SFP [P16 model] or SFP+ [P8 Model] fiber modules
- Supports SFP/SFP+ Direct-Attach cables, both active and passive [P8 Model Only]
- Acts as Power-over-Ethernet (PoE) source to connected devices, up to 15W per port
- Features include IGMP Querier and Snooping, DHCP server per VLAN, EAPS Ring Protecting, RSTP, Dante-compliant QoS options
- Art-Net to sACN conversion
- LED Indicators for Device Status/Processor, global PoE status, Port PoE and connected device Link Status
- Settable properties include Switch Name, Port Name, IP Address, Subnet Mask, Default Gateway, VLAN Configuration, Link Speed, PoE Allocation, DHCP Pool
- Reported properties include PoE Usage, Serial Number, MAC Address, Firmware Version, Connected Devices (LLDP), Ring Status, Link Status, Port Status, Bandwidth Usage, Switch Chip Temperature
- Operates on 20-50VDC input
- Mounts to standard 35mm DIN rail
- Silent operation; fanless, convection-cooled design
- Also available in Rack-mount (PWWIA RM) form factor

## ORDERING INFORMATION

| PWWIA                             |               | EXAMPLE: PWWIA DIN P16 RJ45 10GSFPP POE                                |                     |  |                 |  |  |  |  |
|-----------------------------------|---------------|--|---------------------|--|-----------------|--|--|--|--|
| Series                            | Form Factor   | Port Quantity  | Port Type           | Additional Ports   | PoE Enabled     |  |  |  |  |
| PWWIA Pathway VIA Ethernet Switch | DIN DIN-mount | P8 <sup>1</sup> 8 Ethernet Ports<br>P16 <sup>2</sup> 16 Ethernet Ports | RJ45 RJ45 Connector | SFPSLOT 2 SFP Slots, Empty<br>1GSFP <sup>3</sup> SFP 850nm 1GB Ethernet Optical Transceiver<br>10GSFPP <sup>3</sup> SFP+ 850nm 10GB Ethernet Optical Transceiver | POE PoE Enabled |  |  |  |  |

### Notes

1. P8 available with SFPSLOT, 1GSFP, or 10GSFPP.
2. P16 available with SFPSLOT or 1GSFP.
3. If selecting either 1GSFP or 10GSFPP, note this option will ship with 2x SFP transceivers, one per port.

## Accessories

|                           |   |                  |   |
|---------------------------|---|------------------|---|
| PWPWR DIN TERM 100W 48VDC | Power Supply, DIN-mount, Compression Fit Terminal, 100 Watts, 48 Volts DC | PWENC MED HOR    | DIN System Enclosure, Medium 10" x 23" x 4.5", Horizontal Rails             |
| PWENC SHELF HOR           | DIN System Enclosure, 2-RU Shelf unit with 2x16.5", Horizontal Rails      | PWENC LRG VER    | DIN System Enclosure, Large 18.5" x 31.5" x 6.25", Vertical Rails           |
| PWENC SML VER             | DIN System Enclosure, Small 10" x 13" x 4.5", Vertical Rails              | PWACC SFP        | Pathway Accessory, SFP+ 850nm 10GB Ethernet Optical Transceiver (VIA8)      |
| PWENC MED VER             | DIN System Enclosure, Medium 10" x 23" x 4.5", Vertical Rails             | PWACC SFPP       | Pathway Accessory, SFP 850nm 1GB Ethernet Optical Transceiver (VIA8, VIA16) |
| PWENC SML HOR             | DIN System Enclosure, Small 10" x 13" x 4.5", Horizontal Rails            | PWACC RJPATCH Q4 | Pathway Accessory, DIN RJ45 patch (3.5" of rail for 4), (Qty 4)             |

## SPECIFICATIONS

### Electrical

**Input Ratings** **Switch Only (No PoE usage)**  
 20-50VDC power input  
 10W maximum power consumption

**PWVIA DIN P8 with PoE devices**  
 48-50VDC power input  
 130W maximum power consumption (10W for switch, 120W distributed to connected PoE devices)

**PWVIA DIN P16 with PoE devices**  
 48-50VDC power input  
 190W maximum power consumption (10W for switch, 180W distributed to connected PoE devices)

**Output Ratings** **PWVIA DIN P8**  
 Class 3 PoE available on Ports 1-8 (maximum 15.4W per port)

**PWVIA DIN P16**  
 Class 3 PoE available on Ports 1-12 (maximum 15.4W per port)

**Regulatory Compliance** CE

### Mechanical

**Dimensions** **PWVIA DIN P8** 6.25" W x 4" H x 2.9" D (159mm W x 103mm H x 74mm D)  
**PWVIA DIN P16** 8.0" W x 4" H x 3.1" D (203mm W x 103mm H x 79mm D)

**Weight** **PWVIA DIN P8** 1.05 lbs (0.47 kg)  
**PWVIA DIN P16** 1.08 lbs (0.49 kg)

### Environmental

**Operating Temperature** 14°F to 113°F (-10°C to 45°C)

**Relative Humidity** 5-95%, non-condensing

**Standard Compliance** RoHS 2011/65/EU + A1 2015/863

### General

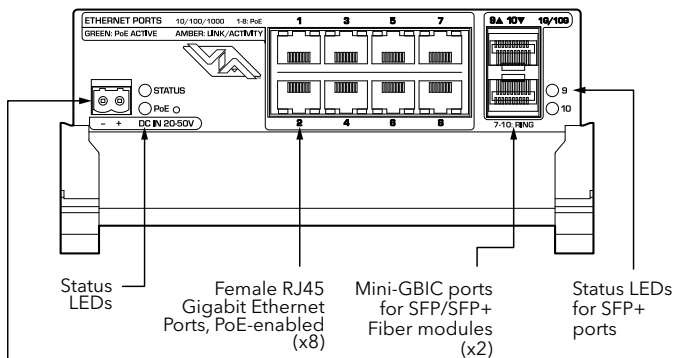
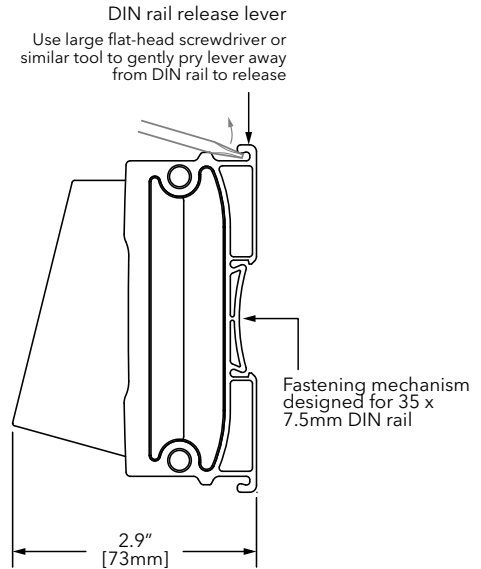
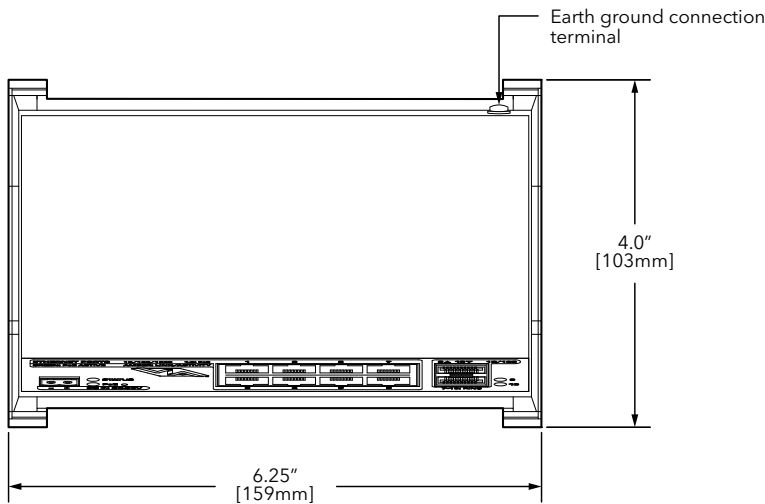
**Compliance** ANSI E1.31 sACN - Streaming ACN  
 IEEE 802.3 Ethernet  
 IEEE 802.3af Power-over-Ethernet (with external supply)  
 IEEE 802.1AB Link Layer Discovery Protocol  
 IEEE 802.1Q VLAN support  
 IEEE 802.1w Rapid Spanning Tree Protocol (RSTP)  
 IETF EAPS - Ethernet Automatic Protection Switching  
 IETF IGMPv2 - Internet Group Management Protocol  
 Dante QoS - Quality of Service  
 California Title 1.81.26, Security of Connected Devices

## PART NUMBER CROSS-REFERENCE

| PREVIOUS    |                                | NEW  |  |
|-------------|--------------------------------|--|--|
| Part Number | Catalog Number                 | Description  |  |
| 6708        | PWVIA DIN P8 RJ45 SFPSLOT POE  | VIA, DIN-mount, 8-Ports, RJ45 Connector, Empty SFP Slots, PoE Enabled  |  |
| 6716        | PWVIA DIN P16 RJ45 SFPSLOT POE | VIA, DIN-mount, 16-Ports, RJ45 Connector, Empty SFP Slots, PoE Enabled |  |

## DIMENSIONS

### PWVIA DIN P8



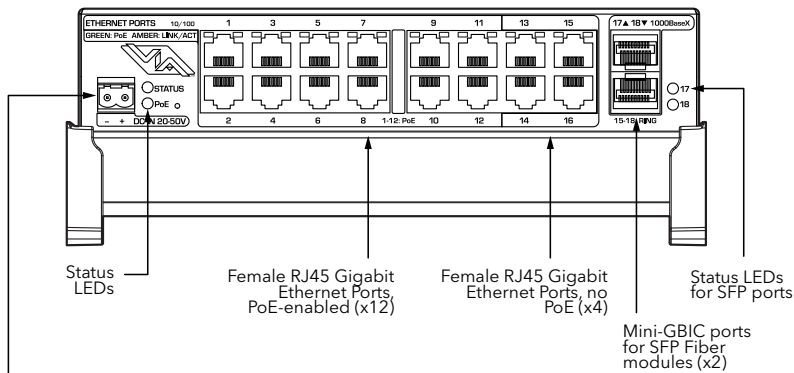
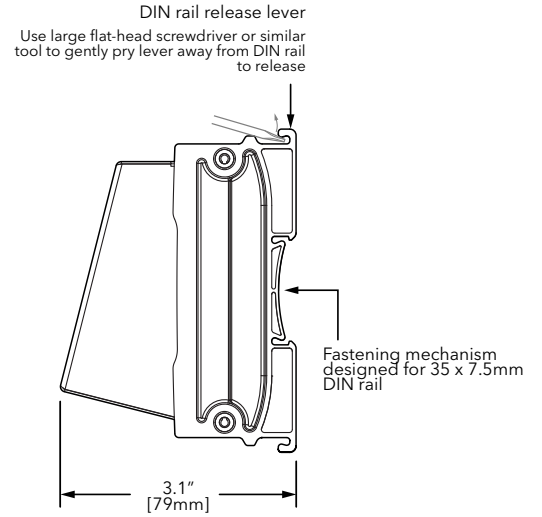
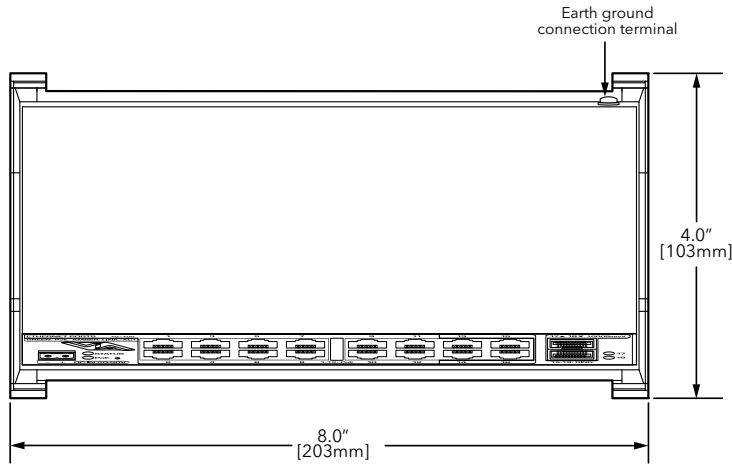
Power In:  
PWPWR DIN TERM 100W 48VDC or equal for PoE operation;  
power consumption depends on attached devices' power requirements

PWPWR DIN TERM [xxxx] 24VDC for Switch only, no PoE

Connect Earth ground to improve EMC compliance

## DIMENSIONS

### PWVIA DIN P16



Power In:  
PWPWR DIN TERM 100W 48VDC or equal for PoE operation; power consumption depends on attached devices' power requirements

PWPWR DIN TERM [xxxx] 24VDC for Switch only, no PoE

Connect Earth ground to improve EMC compliance

## APPLICATION RISER

