

DATE	PROJECT	FIRM	TYPE
------	---------	------	------

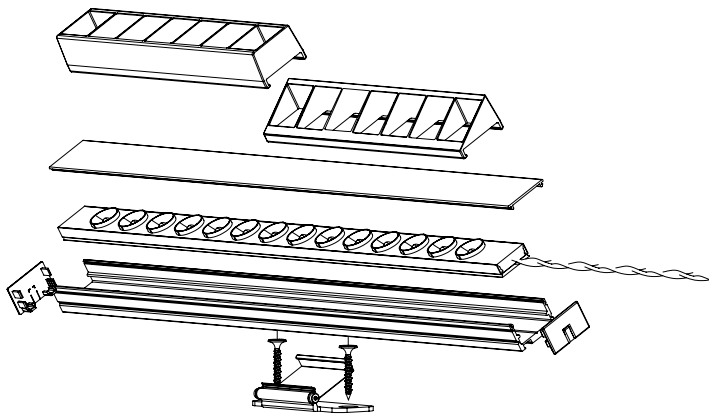
TROV FLEX L09 LOUVERS ARE SNAPPED ONTO THE MOUNTING EXTRUSION TO REDUCE GLARE FROM THE FIXTURE. LOUVERS COME IN THE SAME 6IN LENGTH AS THE FIXTURE SEGMENTS. THERE IS A FULL AND HALF LOUVER FOR THE SYMMETRIC EXTRUSION AND A HALF LOUVER FOR THE ASYMMETRIC EXTRUSION. HALF LOUVERS ARE USED WHEN THE FIXTURE IS ONLY VISIBLE FROM ONE SIDE, LIKE NEXT TO A WALL. FULL LOUVERS ARE USED WHEN THE FIXTURE IS VISIBLE FROM ALL SIDES. LOUVERS ARE MADE FROM BLACK SILICONE MAKING THEM RESISTANT TO FADING, CRACKING, AND IMPACT BREAKAGE.

FEATURES:

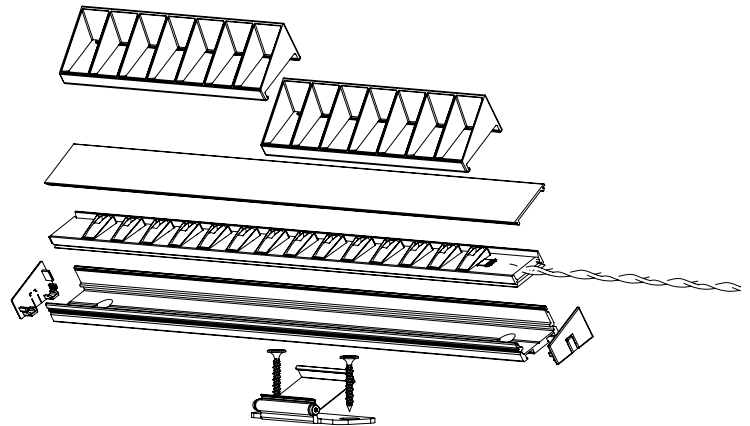
- BLACK SILICONE MATERIAL INCREASES LIFE AND IMPACT RESISTANCE.
- FULL AND HALF LOUVER FOR 10X10 AND 15X40 OPTICS WITH SYMMETRIC EXTRUSION.
- HALF LOUVER FOR ASYM OPTIC WITH ASYMMETRIC EXTRUSION.



SYMMETRIC EXTRUSION ASSEMBLY



ASYMMETRIC EXTRUSION ASSEMBLY



ORDERING

PART NUMBER

SYMMETRIC COMPONENTS

L09-SYM-HL

L09-SYM-FL

DESCRIPTION

L09 Half louver, symmetric, 6in, black

L09 Full louver, symmetric, 6in, black

ASYMMETRIC COMPONENTS

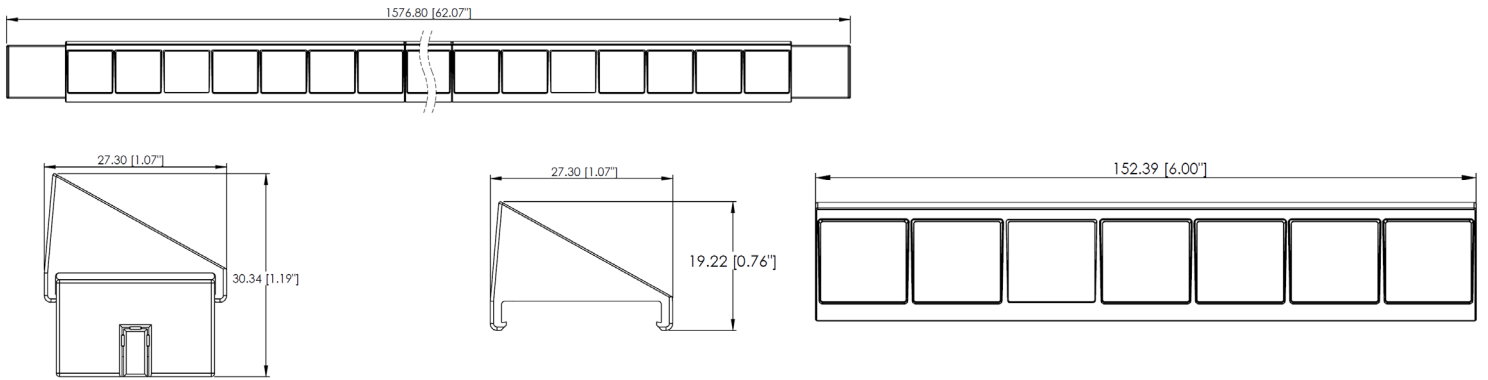
L09-ASYM-HL

L09 Half louver, asymmetric profile, 6in, black

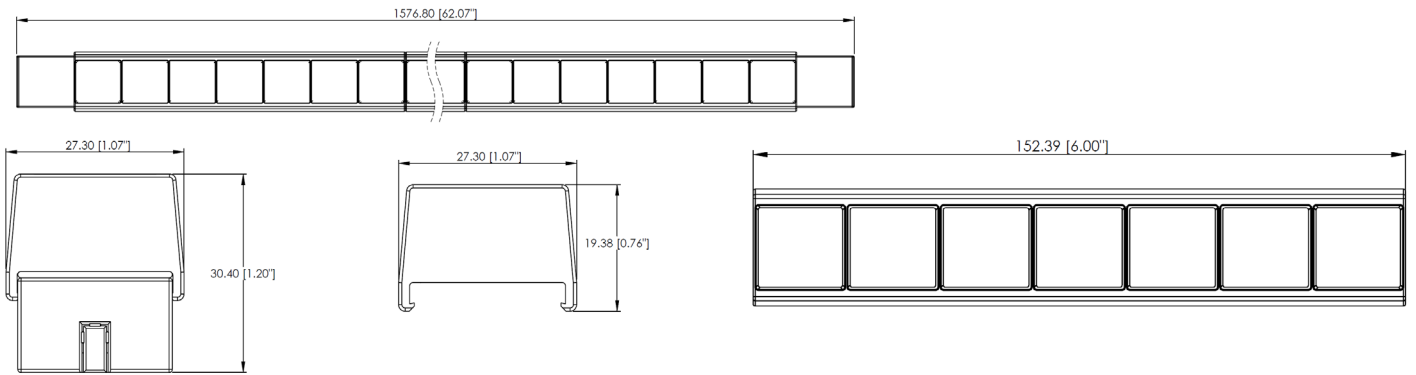
LIMITED WARRANTY 5 YEARS

DATE	PROJECT	FIRM	TYPE
------	---------	------	------

HALF LOUVER ON SYMMETRIC EXTRUSION



FULL LOUVER ON SYMMETRIC EXTRUSION



HALF LOUVER ON ASYMMETRIC EXTRUSION

