

SLIM COVE DIM™ DIM

OVERVIEW • SPECIFICATIONS • ORDERING

INTERIOR | MEDIUM OUTPUT

DATE	PROJECT	FIRM	TYPE
------	---------	------	------

SLIM COVE DIM IS THE SMALLEST, LINE-VOLTAGE, 423 LUMEN/FOOT, LUMINAIRE ON THE MARKET. SINGLE BINNING DELIVERS SUPERIOR COLOR QUALITY AND COLOR CONSISTENCY BETWEEN ALL ECOSENSE PRODUCTS.

FEATURES :

- DIM TO 10%, ELV REVERSE PHASE
- ULTRA LOW PROFILE MAINTAINED WHILE AIMING
- UP TO 106 lm/W
- MULTI-VOLT 120-277VAC
- SINGLE BIN COLOR MATCHES TROV
- 3000K CCT
- 90+ CRI



MODEL	POWER	LENGTH	CCT	VOLTAGE	CRI
SCD	M		30	MULT	9
SCD	M - Medium Output	12 - 12" 48 - 48"	30 - 3000K	MULT (120-277VAC)	9 - 90

EXAMPLE: SCD-M-12-30-MULT-9

PERFORMANCE	POWER	WATTS	OPTIC	CCT	LUMEN OUTPUT	EFFICACY
	M	4W	120°	3000K	390 lm/ft (1278 lm/m)	106 lm/W

COLOR RENDERING INDEX 90+
COLOR CONSISTENCY SINGLE BIN 2-STEP MACADAM ELLIPSE

LUMEN DEPRECIATION / RATED LIFE	AMBIENT	L70 (hr)	L80 (hr)	L90 (hr)
	77°F (25°C)	143,000	91,000	45,000
	122°F (50°C)	90,000	68,000	30,000

CALCULATIONS FOR LED LIFE ARE BASED ON MEASUREMENTS THAT COMPLY WITH IES LM-80 TESTING PROCEDURES AND IES TM-21 CALCULATOR

ELECTRICAL	POWER CONSUMPTION	4W/ft (13.2W/m)
	MAX FIXTURE RUN LENGTH	120V = 90ft (27.4m) ; 220V = 170ft (51.8m) ; 277V = 200ft (60.9m)
	POWER FACTOR	120VAC > 0.85, 230VAC > 0.80, 277VAC > 0.75
	OPERATING VOLTAGE	120-277VAC, 50/60 Hz
	DRIVER	INTEGRAL TO FIXTURE; DE-RATED
	STARTUP TEMPERATURE	-4°F TO 122°F (-20°C TO 50°C)
	OPERATING TEMPERATURE	-4°F TO 122°F (-20°C TO 50°C)
	STORAGE TEMPERATURE	-40°F TO 185°F (-40°C TO 85°C)

CONTROL	DIMMING	ELV TYPE 10%*-99%, REVERSE PHASE, TRAILING EDGE * See dimmer compatibility sheet on page 3 for dimmers that achieve 10% low end dimming.
---------	---------	---



ECOSENSE LIGHTING INC.
837 NORTH SPRING STREET
SUITE 103
LOS ANGELES, CA 90012





P • 310.496.6255
F • 310.496.6256
T • 855.632.6736
855.6.ECOSEN

SPECIFICATIONS SUBJECT TO CHANGE WITHOUT NOTICE. VISIT ECOSENSELIGHTING.COM FOR THE MOST CURRENT SPECIFICATIONS. FOR A LIST OF PATENTS VISIT ECOSENSELIGHTING.COM/IP-PORTFOLIO/. ©2019 ECOSENSE LIGHTING INC. ALL RIGHTS RESERVED. ECOSENSE, THE ECOSENSE LOGO, TROV, TROV AND ECOSPEC ARE REGISTERED TRADEMARKS OF ECOSENSE LIGHTING INC. RISE™, SLIM COVE™, FREEDOM TO CREATE™, MACRO™, FLIP-TO-FLAT™ ARE TRADEMARKS OF ECOSENSE LIGHTING INC.

SLIM COVE™ DIM

OVERVIEW • SPECIFICATIONS • ORDERING

INTERIOR | MEDIUM OUTPUT

DATE	PROJECT	FIRM	TYPE
PHYSICAL	DIMENSIONS HOUSING/LENS WEIGHT CONNECTORS ENVIRONMENT MOUNTING OPTIONS	W 1.55" x H 1.16" x L 12"/48" ; (39.4mm x 29.4mm x 304.7mm/1201mm) EXTRUDED POLYCARBONATE HOUSING AND LENS 0.313lbs / 0.141kg (1ft) / 1.113lbs / 0.504kg (4ft) INTEGRAL MALE/ FEMALE CONNECTORS INDOOR • ETL CERTIFIED FOR DRY/DAMP LOCATIONS IP40 AND IMPACT RATED AT IK07 INCLUDES EASY TO INSTALL MOUNTING CLIPS THAT ALLOW 50 DEGREE ADJUSTABILITY MOUNTING TRACK MUST BE USED FOR ALL INVERTED APPLICATIONS. ORDER SEPARATELY NOT FOR USE IN CURVED COVES	
FIXTURE RATING & CERTIFICATIONS	CE, ETL CERTIFIED RoHS COMPLIANT ENERGY STAR COMPLIANT	   	IP40 IK07 Title 24: JA8-2016
LIMITED WARRANTY	5 YEARS		

WIRING OPTIONS (UNIVERSAL) 120-277VAC

Cable Assembly, 2-Pin, White, Leader, Universal Voltage, with Terminator Cap, 10 feet	CBL-2P-LWH-LDR-UNV-10
Cable Assembly, 2-Pin, White, Jumper, Universal Voltage, 5 feet	CBL-2P-LWH-JMP-UNV-5
Cable Assembly, 2-Pin, White, Jumper, Universal Voltage, 1 foot	CBL-2P-LWH-JMP-UNV-1
Cable Assembly, 2-Pin, White, Jumper, Universal Voltage, 3 inch	CBL-2P-LWH-JMP-UNV-03

0-10V CONTROL OPTIONS

100-120VAC / 277VAC SCD Dimming Control Module 0-10V - Plenum Rated	SCD-DCM-120-277-010V-WH
---	-------------------------

All products come standard with ELV dimming capabilities. 0-10V Control options required for operation at 0-10V.

OPTIONAL ACCESSORIES

Mounting

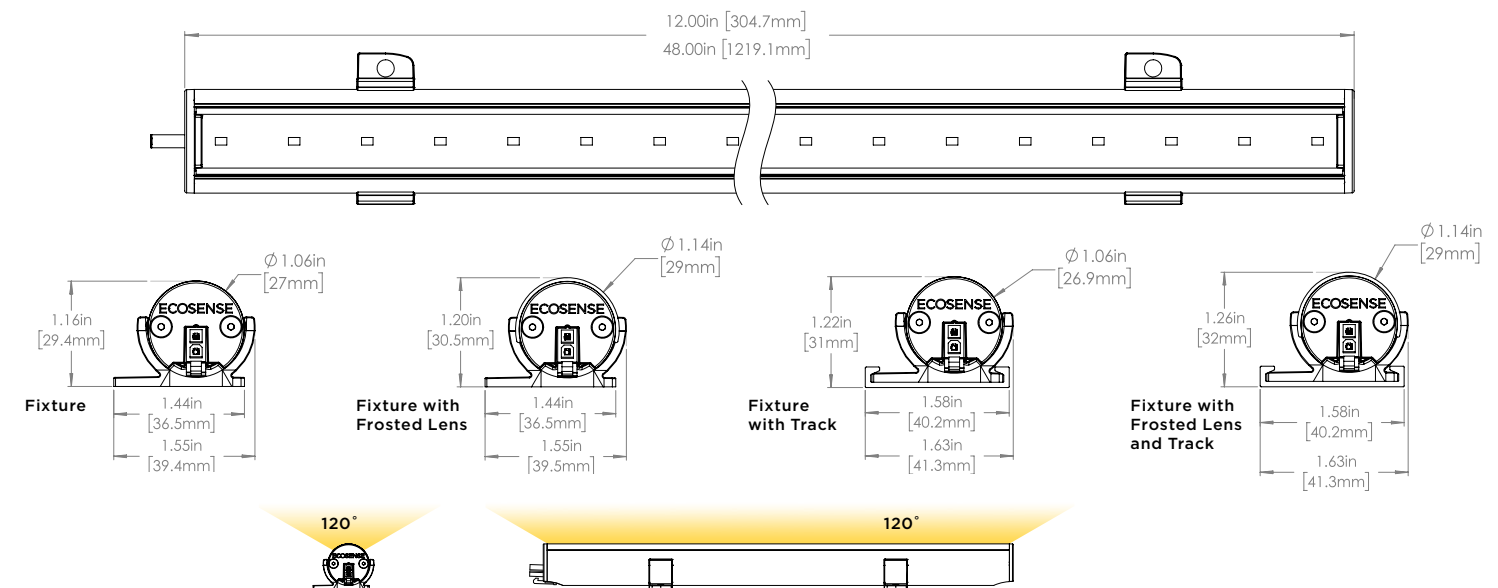
Mounting Track, 48 inch	SCD-A-MNT-TRK-48	MOUNTING TRACK IS 48" LONG AND IS FIELD CUTABLE. THE MOUNTING FEET THAT ARE INCLUDED WITH THE FIXTURES CLIP INTO THE TRACK. NO ADDITION PARTS NEEDED.
Mounting Clips, Two Pack	SCD-A-MNT-ADJ	2 CLIPS INCLUDED WITH 12" AND 4 WITH 48" FIXTURES. ORDER 2 EXTRA 2 PACKS WHEN MOUNTING 48" FIXTURES INVERTED


Snap-on Lenses

Snap-on Lens, Frosted, 12 inch, SCD	SCD-A-FRLS-12	SNAP-ON LENSES NEED = ONE 12" LENS IS NEEDED PER 12" FIXTURE AND ONE 48" LENS IS NEEDED PER 48" FIXTURE. FROSTED LENSES ARE 20% DIFFUSE.
Snap-on Lens, Frosted, 48 inch, SCD	SCD-A-FRLS-48	

Wire Box

Conduit Connection Wire Box, SCD, White	SCD-A-WIREBOX	WIRE BOX CAN BE USED INSTEAD OF A LEADER CABLE TO START A RUN. 1/2" CONDUIT FITTING CAN ATTACH DIRECTLY TO THE BOX ON ONE END AND THE FIXTURE TO THE OTHER
---	---------------	--



	120° x 120° ECOSENSE LIGHTING INC. 837 NORTH SPRING STREET SUITE 103 LOS ANGELES, CA 90012	P • 310.496.6255 F • 310.496.6256 T • 855.632.6736 855.6.ECOSEN	SPECIFICATIONS SUBJECT TO CHANGE WITHOUT NOTICE. VISIT ECOSENSELIGHTING.COM FOR THE MOST CURRENT SPECIFICATIONS. FOR A LIST OF PATENTS VISIT ECOSENSELIGHTING.COM/IP-PORTFOLIO/ . ©2019 ECOSENSE LIGHTING INC. ALL RIGHTS RESERVED. ECOSENSE, THE ECOSENSE LOGO, TROY, TROY AND ECOSPEC ARE REGISTERED TRADEMARKS OF ECOSENSE LIGHTING INC. RISE™, SLIM COVE™, FREEDOM TO CREATE™, MACRO™, FLIP-TO-FLAT™ ARE TRADEMARKS OF ECOSENSE LIGHTING INC.	2 / 2
	<small>20200511</small>			

SLIM COVE™ DIM

OVERVIEW • SPECIFICATIONS • ORDERING

INTERIOR | MEDIUM OUTPUT

DATE	PROJECT	FIRM	TYPE
------	---------	------	------

ELV

Dimmer Manufacturer	Dimmer Model Number	Voltage	Lumen Output % @ Minimum Dimmer Setting
Lutron	Skylar SELV-300P	120VAC	10%
	Maestro MAELV-600	120VAC	15%
	Nova NTELV-600 & NTELV-300	120VAC	19%
	Diva DVELV-300P	120VAC	10%
	Grafik eye w/PHPM-PA-DV	120VAC	1%
	Grafik eye w/PHPM-PA-DV	277VAC	10%
	Verti VTELV-600M	120VAC	17%
	RadioRA 2 RRD-6NA	120VAC	5%
	RadioRA2 RRD-10ND-HW	120VAC	25%
	Contour CTELV-303	120VAC	11%
Rania RSNU-452B-FAW-M	230VAC	25%	
Crestron	Cameo Wall Box CLW-DELVEX-P	120VAC	15%
Legrand (Wattstopper & Vantage)	LMRC-221 with Lutron PHPM	120VAC	1%
	LMRC-221 with Lutron PHPM	277VAC	25%
	LMRC-211 with EcoSense LDCM	120 VAC	3%
	LMRC-211 with EcoSense LDCM	277 VAC	30%
	Wattstopper SDMLV-603	120 VAC	1%
Leviton	Monet MNE-04	120VAC	20%
	Renoir II AWSMT-EBW	230VAC	5%
	Renoir II AWSMT-EBW	277VAC	5%
Eaton	Accell AL AAL06-C1	120VAC	40%
Schneider Electric	Clipsal KB31RD400	230VAC	12%
Helvar	DIGIDIM 454 Transistor Dimmer	230VAC	16%
	DIGIDIM 452 Universal Dimmer Module	230VAC	30%

0-10V to ELV

Dimmer Manufacturer	Dimmer Model Number	Voltage	Lumen Output
Ecosense	SCD-DCM	120VAC	10%
	SCD-DCM	230VAC	25%
	SCD-DCM	277VAC	35%
	LDCM-PL	120VAC	3%
	LDCM-PL	230VAC	18%
	LDCM-PL	277VAC	30%

SLIM COVE™ DIM

OVERVIEW • SPECIFICATIONS • ORDERING

INTERIOR | MEDIUM OUTPUT

DATE	PROJECT	FIRM	TYPE
------	---------	------	------

DALI to ELV

Dimmer Manufacturer	Dimmer Model Number	Voltage	Lumen Output % @ Minimum Dimmer Setting
Helvar	DIGIDIM 454 Transistor Dimmer	230VAC	16%
	DIGIDIM 452 Universal Dimmer Module	230VAC	30%

DMX to ELV

Dimmer Manufacturer	Dimmer Model Number	Voltage	Lumen Output % @ Minimum Dimmer Setting
Helvar	DIGIDIM 454 Transistor Dimmer	230VAC	16%
	DIGIDIM 452 Universal Dimmer Module	230VAC	30%

DATE	PROJECT	FIRM	TYPE
------	---------	------	------

TM 30 Report

Hue Bin	R _f	Graphic shifts (%)	
		Chroma	Hue
1	91	-4%	-1%
2	92	-3%	3%
3	87	-1%	6%
4	91	1%	5%
5	92	2%	4%
6	92	4%	0%
7	92	1%	-4%
8	96	0%	-3%
9	94	-3%	1%
10	89	-3%	5%
11	85	0%	10%
12	87	5%	4%
13	92	4%	-2%
14	87	6%	-6%
15	88	1%	-7%
16	85	0%	-11%

