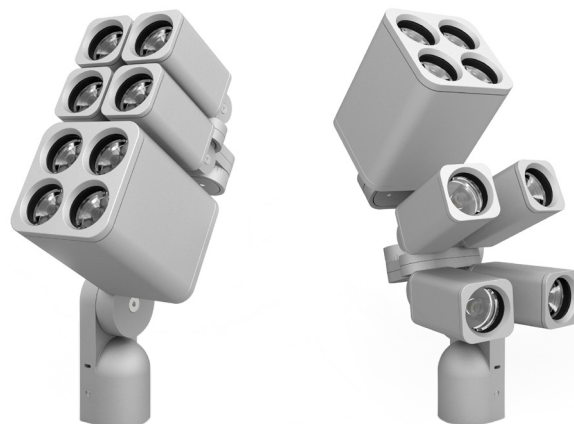


DATE	PROJECT	FIRM	TYPE
------	---------	------	------

RISE IS A SYSTEM OF BEAUTIFULLY DESIGNED OUTDOOR RATED LUMINAIRES THAT PROVIDE EFFICIENT AND POWERFUL LIGHT USING THE LATEST IN LED TECHNOLOGY. RISE F170 QUAD IS A UNIQUE CONFIGURATION THAT GROUPS FOUR RISE F080 SINGLE FIXTURES AND ONE RISE F170 SINGLE FIXTURE ALLOWING YOU TO ILLUMINATE THE MOST CHALLENGING APPLICATIONS. THIS UNIQUE FIXTURE CAN BE USED TO POWERFULLY LIGHT ONE OBJECT OR AIMED SEPARATELY, ALLOWING YOU TO ILLUMINATE MULTIPLE APPLICATIONS. THIS POWERFUL AND COMPACT LED LIGHT FIXTURE CAN BE USED IN SPOT, ACCENT, LANDSCAPE, ARCHITECTURAL AND FLOODLIGHT APPLICATIONS. ITS UNIQUE MACRO™ LOCK FEATURE ALLOWS FOR FULL 180 DEGREE TILT AND 360 DEGREE PAN AIMABILITY OF EACH FIXTURE HEAD USING ONLY ONE TOOL..



FEATURES :

- POWERFUL CBCP
- EXTREMELY COMPACT
- POWERFUL OUTPUT UP TO 9,130 LUMENS
- MACRO™ LOCK - 180° TILT AND 360° PAN
- 12 UNIQUE BEAM ANGLES
- MULTIVOLT (110V-277V)
- 8 CCTS: 2200K THROUGH 6500K
- 80+ AND 90+ CRI
- DIMMABLE TO 5%
- IP66 RATED

FIXTURE MODEL	FIXTURE CONFIG.	POWER/LUMEN OUTPUT	CCT/COLOR	CRI	BEAM ANGLE	FINISHES	ACCESSORIES	WIRING AND MOUNTING
F380	5B - 4 F080 Heads + 1 F170 Head On Bottom 5T - 4 F080 Heads + 1 F170 Head On Top	LO - Low Output MO - Medium Output HO - High Output	22 - 2200K 25 - 2500K 27 - 2700K 30 - 3000K 35 - 3500K 40 - 4000K 50 - 5000K 65 - 6500K RD - Red GR - Green BL - Blue AM - Amber *2200K and 2500K not available in 40°, 60°, 70° and 90°	8 - 80 9 - 90+ X - For RD, GR, BL, AM *90 CRI not available in 2500K, 5000K, and 6500K	05 - Laser Spot (5°) 10 - Very Narrow Spot (10°) 15 - Narrow Spot (15°) 20 - Spot (20°) 40 - Flood (40°) 60 - Medium Flood (60°) 70 - Wide Flood (70°) 90 - Very Wide Flood (90°) E1 - Elliptical 1 (15°x60°) E2 - Elliptical 2 (30°x60°) E3 - Elliptical 3 (60°x15°) E4 - Elliptical 4 (60°x30°)	K - Black Z - Bronze S - Silver W - White C - Custom* *Provide RAL #	X - No Accessory H - Half Snoot F - Full Snoot Will ship as X if not specified	C - 10' Exterior Rated Cable, Bottom Exit, 2-3/8" Tenon Mount; UL Listed E* - Exterior Rated Cable, Bottom Exit, 2-3/8" Tenon Mount; CE Listed *Will ship as C if not specified

*SEE PHOTOMETARY CHART FOR LUMEN DATA

PERFORMANCE	WATTS	POWER	LUMEN OUTPUT		EFFICACY		CBCP	
			5°	40°	5°	40°	5°	40°
	29	Low Output	2,515	3,349	97	115	144,975	5,681
	55	Medium Output	4,262	5,999	82	109	245,682	10,180
	84	High Output	5,756	8,910	74	106	331,782	15,116

ALL LUMEN DATA IS FROM 4000K 80CRI FIXTURES. PLEASE SEE PHOTOMETRY SPEC SHEET FOR ADDITIONAL LUMEN DATA.

COLOR RENDERING INDEX
COLOR CONSISTENCY
LUMEN DEPRECIATION

80+, 90+	3-STEP MACADAM ELLIPSE			
WATTS	L70 @ 25C	L70 @ 50C	L90 @ 25C	L90 @ 50C
LOW	>60,500* >(109,000)**	>60,500* >(109,000)**	>60,500* >(109,000)**	>60,500* >(109,000)**
MEDIUM	>60,500* >(109,000)**	>60,500* >(109,000)**	>60,500* >(109,000)**	>60,500* >(109,000)**
HIGH	>60,500* >(181,000)**	>36,300* >(69,800)*	>60,500* >(69,800)*	>33,200*

* ENERGY STAR REPORTED TESTING HOURS TO DATE. CALCULATIONS FOR LED FIXTURES ARE BASED ON MEASUREMENTS THAT COMPLY WITH IES LM-80 TESTING PROCEDURES AND IES TM-21 CALCULATOR
** ESTIMATED HOURS

NOTE: Information on this Spec Sheet is subject to change, please visit ecosenselighting.com/products/raise for the most updated information.

ECOSENSE LIGHTING INC.
837 NORTH SPRING STREET
SUITE 103
LOS ANGELES, CA 90012

P • 310.496.6255
F • 310.496.6256
T • 855.632.6736
855.6.ECOSEN

SPECIFICATIONS SUBJECT TO CHANGE WITHOUT NOTICE. VISIT ECOSENSELIGHTING.COM FOR THE MOST CURRENT SPECIFICATIONS. FOR A LIST OF PATENTS VISIT ECOSENSELIGHTING.COM/IP-PORTFOLIO/
©2019 ECOSENSE LIGHTING INC. ALL RIGHTS RESERVED. ECOSENSE, THE ECOSENSE LOGO, TROV, TROV AND ECOSPEC ARE REGISTERED TRADEMARKS OF ECOSENSE LIGHTING INC.
RISE™, SLIM COVER™, FREEDOM TO CREATE™, MACRO™, FLIP-TO-FLAT™ ARE TRADEMARKS OF ECOSENSE LIGHTING INC.

ECOSENSELIGHTING.COM

1/5

DATE	PROJECT	FIRM	TYPE
ELECTRICAL	WATTAGE POWER FACTOR THD OPERATING VOLTAGE DRIVER STARTUP TEMPERATURE OPERATING TEMPERATURE STORAGE TEMPERATURE SURGE PROTECTION	LOW OUTPUT = 29W; MEDIUM OUTPUT = 55W; HIGH OUTPUT = 84W >0.9 for 120V (HO, MO, LO), 230V (HO, MO), 277V (HO) <0.2 for 120V (HO, MO, LO), 230V (HO, MO), 277V (HO) MULTIVOLT: 100-277VAC, 50/60 Hz INTEGRAL TO FIXTURE; DE-RATED POWER AND SYNCHRONOUS START-UP AT FULL BRIGHTNESS -40°F TO 122°F (-40°C TO 50°C) -40°F TO 122°F (-40°C TO 50°C) -40°F TO 176°F (-40°C TO 80°C) SURGE PROTECTION DEVICES WITH A MINIMUM DISCHARGE CURRENT RATING OF 20KA, THAT MEET UL1449, CSA C22.2 No. 269.1, AND IEC TR 62066, SHOULD BE INSTALLED ON EACH BRANCH CIRCUIT.	
CONTROL	DIMMING	110-277VAC, ELV TYPE, REVERSE PHASE, TRAILING EDGE	
PHYSICAL	DIMENSIONS HOUSING/LENS WEIGHT ENVIRONMENT MOUNTING OPTIONS WIRING TOOLS WIND LOAD (EPA) CORROSION RESISTANT	W 6.9" x H 16.04" x L 11.97" ; (175.25mm x 407.5mm x 303.99mm) EXTRUDED ALUMINUM; UV STABILIZED POLYCARBONATE; STAINLESS STEEL FASTENERS 30.0LBS / 13.6KG OUTDOOR • UL CERTIFIED FOR WET LOCATIONS IP66 IMPACT RATED TO IK10 C - EXTERNAL CABLE BOTTOM EXIT; 1/2" NPT ; UL LISTED SURFACE MOUNT PLATE INCLUDED E - EXTERNAL CABLE BOTTOM EXIT; SURFACE MOUNT : CE LISTED SURFACE MOUNT PLATE INCLUDED LENGTH OF EXTERIOR CABLE 10' (3.05m) SCREWS TO REPLACE THE LENS AND BEZEL ON F080: HEX 2.5mm; 0.85 ± 0.15 Nm SCREWS TO REPLACE THE LENS AND BEZEL ON F170: HEX 3mm; 1.25 ± 0.25 Nm SCREWS FOR MACRO LOCK™ PAN AND TILT ON F080: HEX 4mm; 2.7 ± 0.5 Nm SCREWS FOR MACRO LOCK™ PAN AND TILT ON F170: HEX 5mm; 27.0 ± 2.0 Nm SCREW FOR MAIN TILT ARM: HEX 6mm; 27.0 ± 2.0 Nm SET SCREWS FOR TENON MOUNT: HEX 4mm; 9.5 ± 0.5 Nm EFFECTIVE PROJECTED AREA 0.91ft ² RISE HAS A HIGH-PERFORMING, CORROSION-RESISTANT FINISH THAT USES HIGH DURABILITY TRIGLYCIDYL ISOCYANURATE (TGIC) POWDER COATINGS SPECIFICALLY DESIGNED FOR NATATORIUMS AND EXTERIOR WEATHER EXPOSURE. THIS FINISH HAS BEEN TESTED AND APPROVED TO MARINE GRADE CORROSION RESISTANCE STANDARD IN UL1598A, ASTM B117 SALT FOG TEST FOR 200 HOURS.	

FIXTURE RATING & CERTIFICATIONS **CE, UL CERTIFIED**
RoHS COMPLIANT, IK10



LIMITED WARRANTY **5 YEARS**

0-10V CONTROL OPTIONS

100-120VAC / 277VAC Linear Dimming Control Module 0-10V - Plenum Rated LDCM-PL-120-277-010V-GR
 All products come standard with ELV dimming capabilities. 0-10V Control options required for operation at 0-10V.

OPTIONAL ACCESSORIES

F080 Snoots

Half Snoot, Color Finish (K=Black, Z=Bronze, S=Silver, W=White, C=Custom) F080-H-(K,Z,S,W,C)
 Full Snoot, Color Finish (K=Black, Z=Bronze, S=Silver, W=White, C=Custom) F080-F-(K,Z,S,W,C)

F170 Snoots

Half Snoot, Color Finish (K=Black, Z=Bronze, S=Silver, W=White, C=Custom) F170-H-(K,Z,S,W,C)
 Full Snoot, Color Finish (K=Black, Z=Bronze, S=Silver, W=White, C=Custom) F170-F-(K,Z,S,W,C)

F080 Interchangeable Lens

If inner optic = 5°,

Desired angle	Order the following spread lens
5 Degree	F080-LENS-05
10 Degree	F080-LENS-10
15 Degree	F080-LENS-15
20 Degree	F080-LENS-20
40 Degree	F080-LENS-40
60 Degree	F080-LENS-60
80 Degree	F080-LENS-80
15x60 or 60x15 Degree	F080-LENS-E1E3

ECOSENSE LIGHTING INC.
 837 NORTH SPRING STREET
 SUITE 103
 LOS ANGELES, CA 90012

P • 310.496.6255
F • 310.496.6256
T • 855.632.6736
 855.6.ECOSEN

SPECIFICATIONS SUBJECT TO CHANGE WITHOUT NOTICE. VISIT ECOSENSELIGHTING.COM FOR THE MOST CURRENT SPECIFICATIONS. FOR A LIST OF PATENTS VISIT ECOSENSELIGHTING.COM/IP-PORTFOLIO/
 ©2019 ECOSENSE LIGHTING INC. ALL RIGHTS RESERVED. ECOSENSE, THE ECOSENSE LOGO, TROV, TROV AND ECOSPEC ARE REGISTERED TRADEMARKS OF ECOSENSE LIGHTING INC.
 RISE™, SLIM COVER™, FREEDOM TO CREATE™, MACRO™, FLIP-TO-FLAT™ ARE TRADEMARKS OF ECOSENSE LIGHTING INC.

ECOSENSELIGHTING.COM

2 / 5

DATE	PROJECT	FIRM	TYPE
------	---------	------	------

30x60 or 60x30 Degree	F080-LENS-E2E4
Full Set of Beam Angle Lens Degree (5, 10, 15, 20, 40, 60, 80, 15X60 or 60X15, 30X60 or 60X30)	F080-LENS-FULLSET

If inner optic = 40°,

Desired angle	Order the following spread lens
5 Degree	NOT SUPPORTED
10 Degree	NOT SUPPORTED
15 Degree	NOT SUPPORTED
20 Degree	NOT SUPPORTED
40 Degree	F080-LENS-10
60 Degree	F080-LENS-40
70 Degree	F080-LENS-60
90 Degree	F080-LENS-80
15x60 or 60x15 Degree	NOT SUPPORTED
30x60 or 60x30 Degree	NOT SUPPORTED
Full Set of Beam Angle Lens Degree (5, 10, 15, 20, 40, 60, 80, 15X60 or 60X15, 30X60 or 60X30)	F080-LENS-FULLSET

F170 Interchangeable Lens

If inner optic = 5°,

Desired angle	Order the following spread lens
5 Degree	F170-LENS-05
10 Degree	F170-LENS-10
15 Degree	F170-LENS-15
20 Degree	F170-LENS-20
40 Degree	F170-LENS-40
60 Degree	F170-LENS-60
80 Degree	F170-LENS-80
15x60 or 60x15 Degree	F170-LENS-E1E3
30x60 or 60x30 Degree	F170-LENS-E2E4
Full Set of Beam Angle Lens Degree (5, 10, 15, 20, 40, 60, 80, 15X60 or 60X15, 30X60 or 60X30)	F170-LENS-FULLSET

If inner optic = 40°,

Desired angle	Order the following spread lens
5 Degree	NOT SUPPORTED
10 Degree	NOT SUPPORTED
15 Degree	NOT SUPPORTED
20 Degree	NOT SUPPORTED
40 Degree	F170-LENS-10
60 Degree	F170-LENS-40
70 Degree	F170-LENS-60
90 Degree	F170-LENS-80
15x60 or 60x15 Degree	NOT SUPPORTED
30x60 or 60x30 Degree	NOT SUPPORTED
Full Set of Beam Angle Lens Degree (5, 10, 15, 20, 40, 60, 80, 15X60 or 60X15, 30X60 or 60X30)	F170-LENS-FULLSET

Honeycomb Louver

Honeycomb Louver F080.....	F080-LV-HComb
Honeycomb Louver F170.....	F170-LV-HComb

F080 Color Filters

Red	F080-FILTER-RED
Blue	F080-FILTER-BLUE
Green	F080-FILTER-GREEN
Amber	F080-FILTER-AMBER

F170 Color Filters

Red	F170-FILTER-RED
Blue	F170-FILTER-BLUE
Green	F170-FILTER-GREEN
Amber	F170-FILTER-AMBER

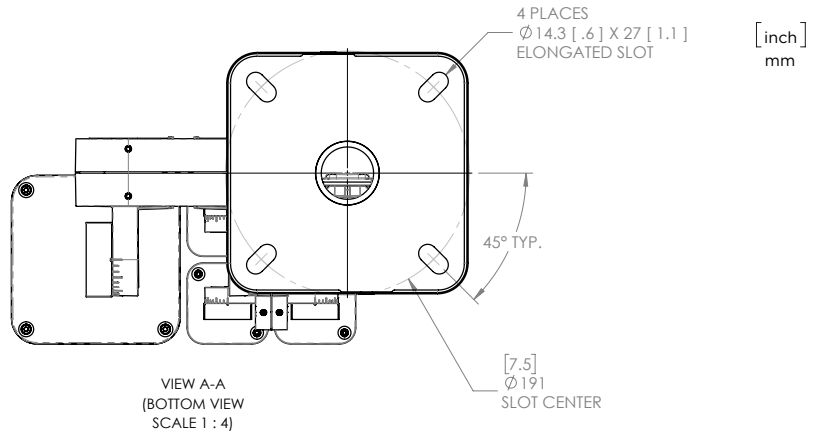
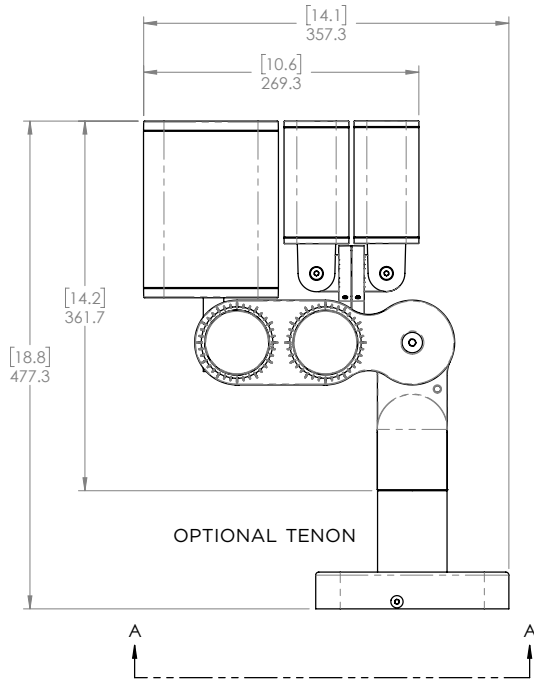
Surface Mount Tenon

F170 and F380 Multi-Up Surface Mount Tenon (K=Black, Z=Bronze, S=Silver, W=White, C=Custom)	RISE-MULTI-SMP-(K,Z,S,W,C)
---	----------------------------

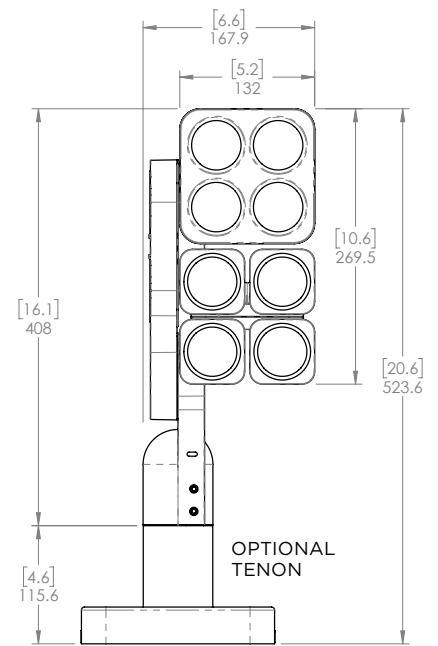
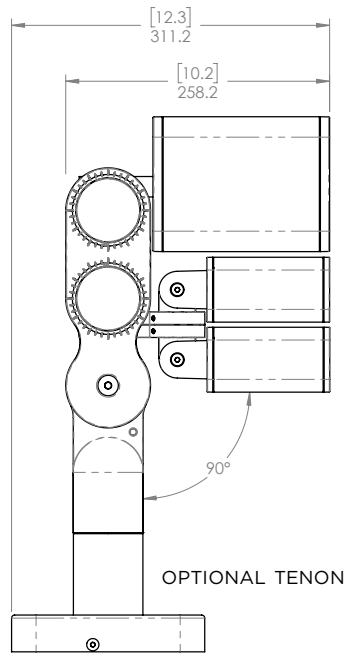
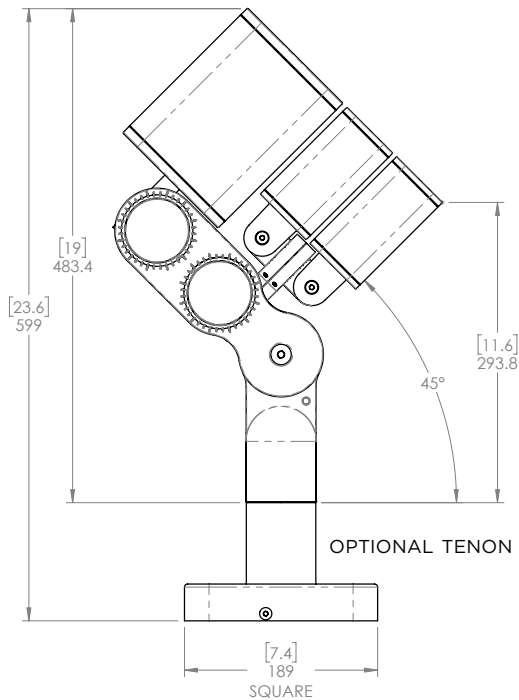
NOTE: Information on this Spec Sheet is subject to change, please visit ecosenselighting.com/products/raise for the most updated information.

DATE	PROJECT	FIRM	TYPE
------	---------	------	------

DIMENSIONS - F380 5T (F170 POSITIONED ON TOP)



[inch]
mm



NOTE: Information on this Spec Sheet is subject to change, please visit ecosenselighting.com/products/rise for the most updated information.

ECOSENSE LIGHTING INC.
 837 NORTH SPRING STREET
 SUITE 103
 LOS ANGELES, CA 90012

P • 310.496.6255
F • 310.496.6256
T • 855.632.6736
 855.6.ECOSEN

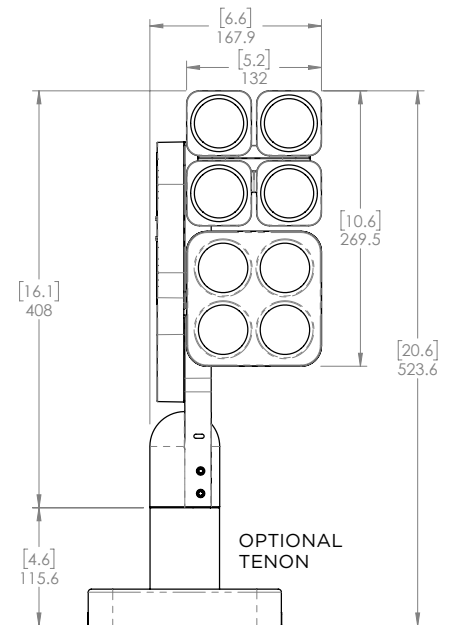
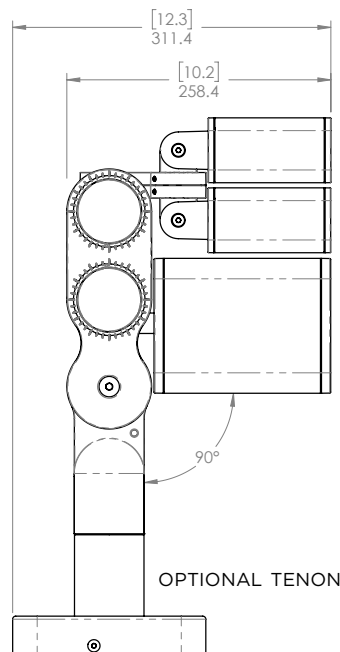
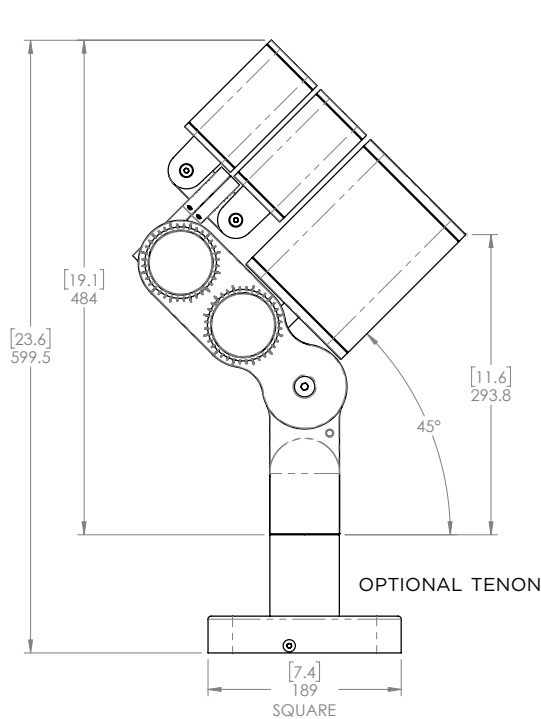
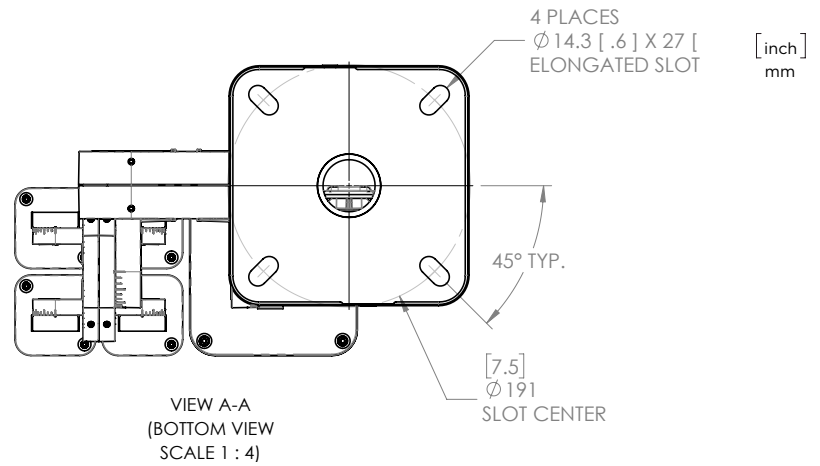
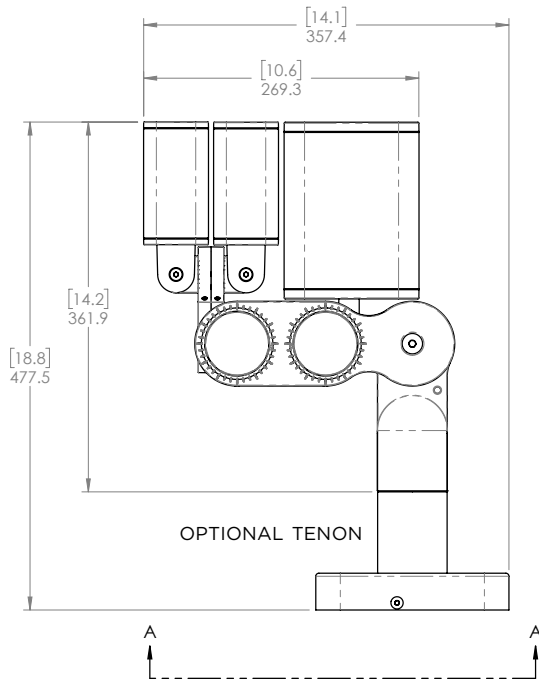
SPECIFICATIONS SUBJECT TO CHANGE WITHOUT NOTICE. VISIT [ECOSENSELIGHTING.COM](https://ecosenselighting.com) FOR THE MOST CURRENT SPECIFICATIONS. FOR A LIST OF PATENTS VISIT [ECOSENSELIGHTING.COM/IP-PORTFOLIO/](https://ecosenselighting.com/ip-portfolio/)
 ©2019 ECOSENSE LIGHTING INC. ALL RIGHTS RESERVED. ECOSENSE, THE ECOSENSE LOGO, TROV, TROV AND ECOSPEC ARE REGISTERED TRADEMARKS OF ECOSENSE LIGHTING INC.
 RISE™, SLIM COVER™, FREEDOM TO CREATE™, MACRO™, FLIP-TO-FLAT™ ARE TRADEMARKS OF ECOSENSE LIGHTING INC.

[ECOSENSELIGHTING.COM](https://ecosenselighting.com)

4/5

DATE	PROJECT	FIRM	TYPE
------	---------	------	------

DIMENSIONS - F380 5B (F170 POSITIONED ON BOTTOM)



NOTE: Information on this Spec Sheet is subject to change, please visit ecosenselighting.com/products/rise for the most updated information.

ECOSENSE LIGHTING INC.
837 NORTH SPRING STREET
SUITE 103
LOS ANGELES, CA 90012

P • 310.496.6255
F • 310.496.6256
T • 855.632.6736
855.6.ECOSEN

SPECIFICATIONS SUBJECT TO CHANGE WITHOUT NOTICE. VISIT [ECOSENSELIGHTING.COM](https://ecosenselighting.com) FOR THE MOST CURRENT SPECIFICATIONS. FOR A LIST OF PATENTS VISIT [ECOSENSELIGHTING.COM/IP-PORTFOLIO/](https://ecosenselighting.com/ip-portfolio/)
©2019 ECOSENSE LIGHTING INC. ALL RIGHTS RESERVED. ECOSENSE, THE ECOSENSE LOGO, TROV, TROV AND ECOSPEC ARE REGISTERED TRADEMARKS OF ECOSENSE LIGHTING INC.
RISE™, SLIM COVER™, FREEDOM TO CREATE™, MACRO™, FLIP-TO-FLAT™ ARE TRADEMARKS OF ECOSENSE LIGHTING INC.

[ECOSENSELIGHTING.COM](https://ecosenselighting.com)

5/5