

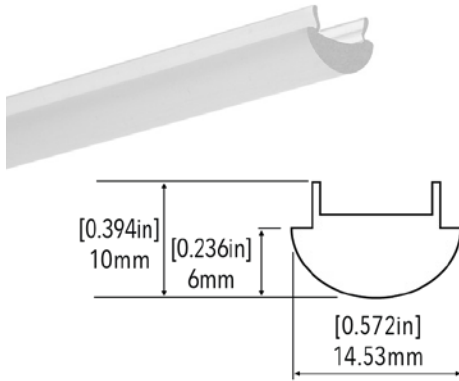
Project: _____

Designer: _____

Fixture: _____



XCC-L-SPF-CL Focusing Lens



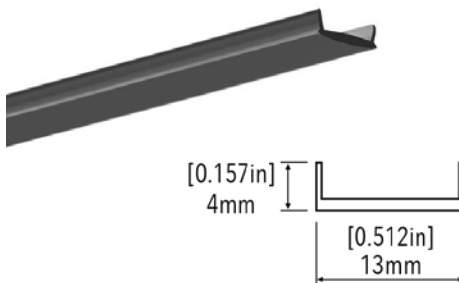
XCC-Channels

XCC-C-SPF

SKU

Product	Collection	Name Code	Surface Code	Length
XCC	L	FL	CL	1
				2
				3

XCC-L-TL-BK Black Transition Lens



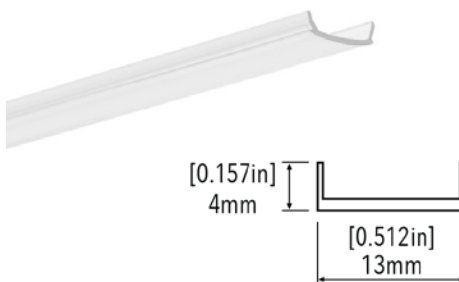
XCC-Channels

XCC-C-D45	XCC-C-S45	XCC-C-RSM	XCC-C-SS12	XCC-C-SPF
XCC-C-RND	XCC-C-SLM	XCC-C-CS16	XCC-C-REC	XCC-C-MSQ
XCC-C-DS16	XCC-C-C22	XCC-C-MRC	XCC-C-DS12	XCC-C-SS15

SKU

Product	Collection	Name Code	Surface Code	Length
XCC	L	TL	BK	1
				2

XCC-L-PRO-CL Universal Clear - Pro



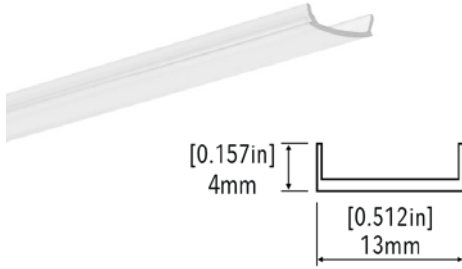
XCC-Channels

XCC-C-R17	XCC-C-SLM	XCC-C-MRC	XCC-C-MSQ	
XCC-C-REC	XCC-C-R32	XCC-C-CSL		
XCC-C-SPF	XCC-C-RND	XCC-C-DS12		

SKU

Product	Collection	Name Code	Surface Code	Length
XCC	L	PRO	CL	1
				2

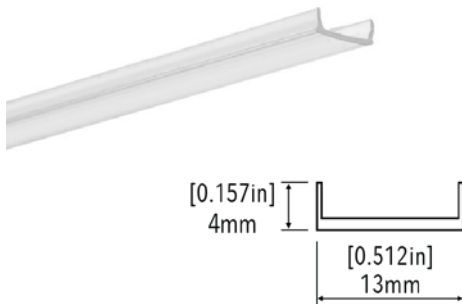
XCC-L-PRO-FR
Universal Frosted - Pro



XCC-Channels				
XCC-C-R17	XCC-C-SLM	XCC-C-MRC	XCC-C-MSQ	
XCC-C-REC	XCC-C-R32	XCC-C-CSL		
XCC-C-SPF	XCC-C-RND	XCC-C-DS12		

SKU				
Product	Collection	Name Code	Surface Code	Length
XCC	L	PRO	FR	1
				2

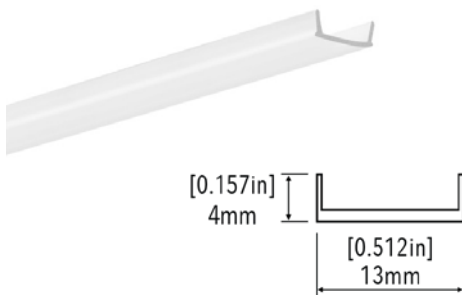
XCC-L-UNV-CL
Universal Clear



XCC-Channels				
XCC-C-R17	XCC-C-MRC	XCC-C-RSM	XCC-C-CSL	XCC-C-SLM
XCC-C-D45	XCC-C-SS12	XCC-C-CS16	XCC-C-REC	
XCC-C-RND	XCC-C-R32	XCC-C-MSQ	XCC-C-DS12	
XCC-C-DS16	XCC-C-C22	XCC-C-SS15	XCC-C-S45	

SKU				
Product	Collection	Name Code	Surface Code	Length
XCC	L	UNV	CL	1
				2

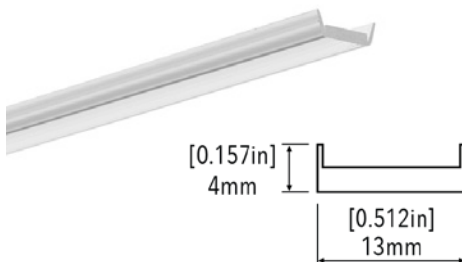
XCC-L-UNV-FR
Universal Frosted



XCC-Channels				
XCC-C-R17	XCC-C-MRC	XCC-C-RSM	XCC-C-CSL	XCC-C-SLM
XCC-C-D45	XCC-C-SS12	XCC-C-CS16	XCC-C-REC	
XCC-C-RND	XCC-C-R32	XCC-C-MSQ	XCC-C-DS12	
XCC-C-DS16	XCC-C-C22	XCC-C-SS15	XCC-C-S45	

SKU				
Product	Collection	Name Code	Surface Code	Length
XCC	L	UNV	FR	1
				2

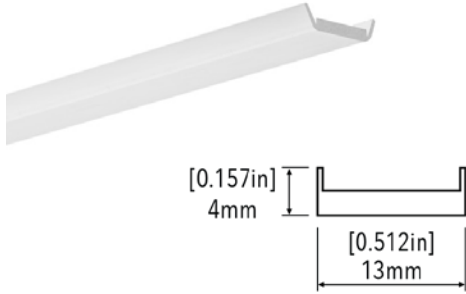
XCC-L-EX-CL
Extreme Clear



XCC-Channels				
XCC-C-R17	XCC-C-S45	XCC-C-RSM	XCC-C-CSL	XCC-C-MSQ
XCC-C-D45	XCC-C-SLM	XCC-C-CS16	XCC-C-REC	XCC-C-SS15
XCC-C-RND	XCC-C-R32	XCC-C-MRC	XCC-C-DS12	
XCC-C-DS16	XCC-C-C22	XCC-C-SS12	XCC-C-SPF	

SKU				
Product	Collection	Name Code	Surface Code	Length
XCC	L	EX	CL	1
				2
				3

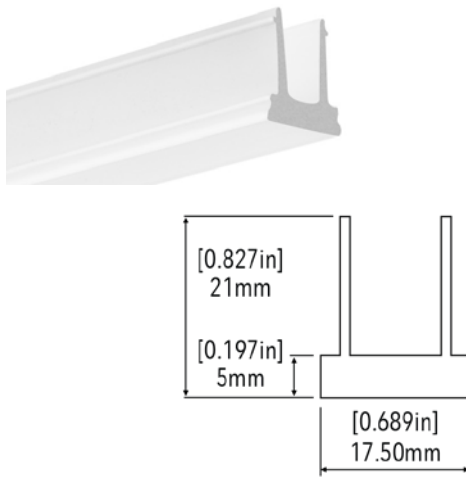
XCC-L-EX-FR
Extreme Frosted



XCC-Channels				
XCC-C-R17	XCC-C-S45	XCC-C-RSM	XCC-C-CSL	XCC-C-MSQ
XCC-C-D45	XCC-C-SLM	XCC-C-CS16	XCC-C-REC	XCC-C-SS15
XCC-C-RND	XCC-C-R32	XCC-C-MRC	XCC-C-DS12	
XCC-C-DS16	XCC-C-C22	XCC-C-SS12	XCC-C-SPF	

SKU				
Product	Collection	Name Code	Surface Code	Length
XCC	L	EX	FR	
				1
				2
				3

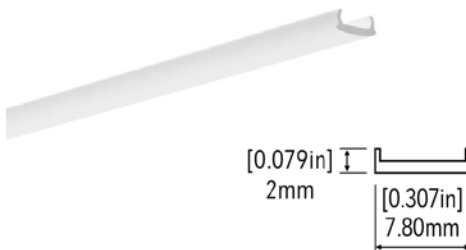
XCC-L-GND-FR



XCC-Channels				
XCC-C-GND				

SKU				
Product	Collection	Name Code	Surface Code	Length
XCC	L	IG	FR	
				1
				2
				3

XCC-L-US-FR
Ultra Slim



XCC-Channels				
XCC-C-USS				
XCC-C-USR				

SKU				
Product	Collection	Name Code	Surface Code	Length
XCC	L	US	FR	
				1
				2

Field modifications and installation must comply with all local and national codes as well as Xicato's installation methods, see xicato.com for more information. Manufacturer retains the right to change specification information at any time.