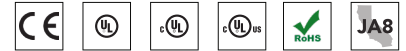
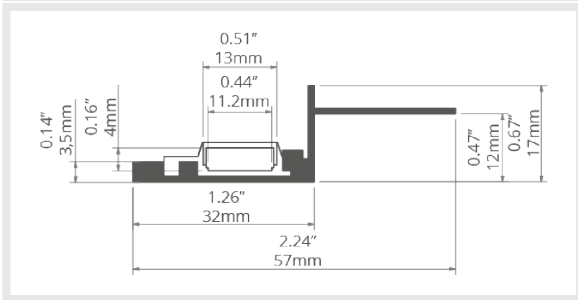


Project: _____ Designer: _____ Fixture: _____



XCC-C-R17

- Closet
- 22
- 67



SKU

Product	Collection	Name Code	Surface	Length
XCC	C	R17	NA	<input type="text"/>
				1
				2



Description

XCC-C-R17 is a set of two extrusions designed for recess illumination purposes.

Material

NA

XCC-L Lenses

PRO CL	PRO FR	UNV CL	UNV FR	EX CL	EX FR
80%	80%	80%	80%	70%	70%

XCC-E End Caps

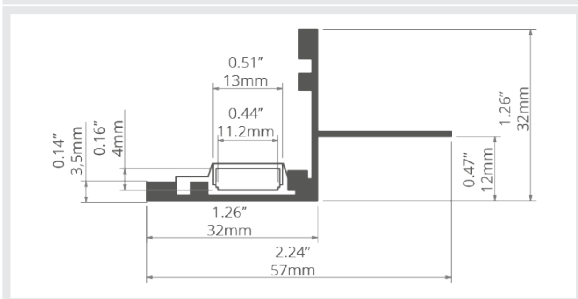
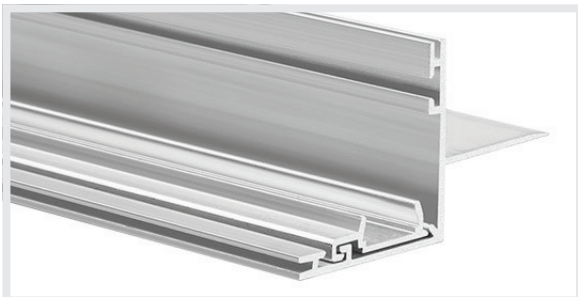
XCC-E-COVE-NA-NC-STD

Dimensions

ID Height: 4mm
ID Width for LED: 10.8mm

XCC-C-R32

- Closet
- 22
- 67



SKU

Product	Collection	Name Code	Surface	Length
XCC	- C	- R32	- NA	<input type="text"/>
				1
				2



Description

XCC-C-R32 is a cove lighting system which consists of the mounting base and extrusion. The complete set enables the parallel or perpendicular direction of light to the wall.

Material

NA

XCC-L Lenses

PRO CL	PRO FR	UNV CL	UNV FR	EX CL	EX FR
80%	80%	80%	80%	70%	70%

XCC-E End Caps

XCC-E-COVE-NA-NC-STD

Dimensions

ID Height: 4mm
ID Width for LED: 10.8mm

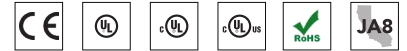
Refer to XFL product Data Sheet for specific lumen values.

Field modifications and installation must comply with all local and national codes as well as Xicato's installation methods, see xicato.com for more information. Manufacturer retains the right to change specification information at any time.

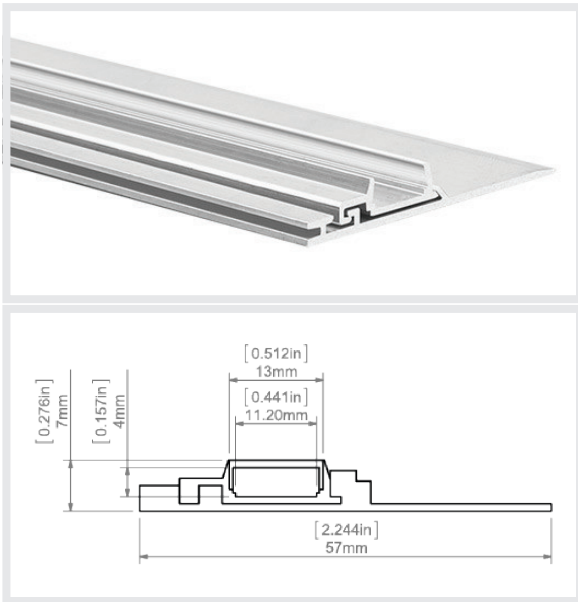
Xicato Channel Collection

XCC-C

Project: _____ Designer: _____ Fixture: _____



XCC-C-CSL



SKU

Product	Collection	Name Code	Surface	Length
XCC	C	CSL	NA	<input type="text"/>
				1
				2



Description

XCC-C-CSL is a set of two profiles designed for recessed illumination purposes. It consists of the mounting strip and extrusion which is recessed in it. The complete set enables the parallel direction of light to the wall.

Material

NA

XCC-L Lenses

PRO CL	PRO FR	UNV CL	UNV FR	EX CL	EX FR
	80%		80%		70%

XCC-E End Caps

XCC-E-COVE-NA-NC-STD

Dimensions

ID Height: 4mm
ID Width for LED: 10.8mm

XCC-C-D45



SKU

Product	Collection	Name Code	Surface	Length
XCC	-	C	-	<input type="text"/>
			SA	1
				2
				3
			BK	1
				2
			WT	2
				3



Description

For mounting on surfaces and internal 90° corners, this extrusion directs light at a 45-degree angle.

Material

SA BK WT

XCC-L Lenses

TL BK	UNV CL	UNV FR	EX CL	EX FR
25%		80%		70%

XLA-X Connectors

XLA-X-BLK-S2S-2-10-22
XLA-X-BLK-S2W0-2-10-22

XCC-M Mounting

XCC-M-D45-SA-H

Dimensions

ID Height: 10mm
ID Width for LED: 11.2mm

Refer to XFL product Data Sheet for specific lumen values.

Field modifications and installation must comply with all local and national codes as well as Xicato's installation methods, see xicato.com for more information. Manufacturer retains the right to change specification information at any time.

REV: 09292020

Xicato Global Headquarters

101 Daggett Drive San Jose, CA 95134

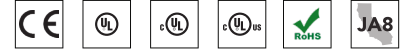
Contact Us

Tel: +1 866 223 8395 | info@xicato.com

Xicato Channel Collection

XCC-C

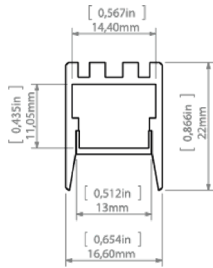
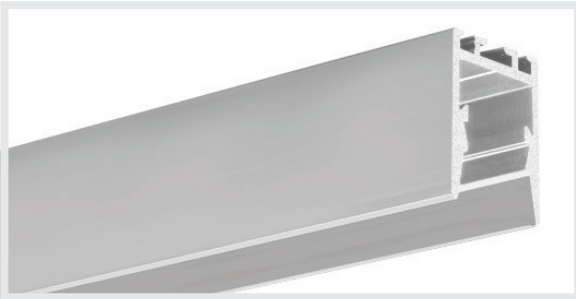
Project: _____ Designer: _____ Fixture: _____



XCC-C-C22

22

67



SKU

Product	Collection	Name Code	Surface	Length
XCC	- C	- C22	-	-
			SA	1
			BK	2



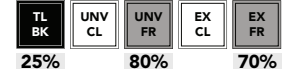
Description

XCC-C-R17 is a set of two extrusions designed for recess illumination purposes.

Material



XCC-L Lenses



XLA-X Connectors

XLA-X-BLK-S25-2-10-22	XLA-X-SDL-S2W0-2-10-22
XLA-X-BLK-S2W0-2-10-22	XLA-X-BTC-S2W0-2-10-22
XLA-X-SDL-S25-2-10-22	XLA-X-BTC-S25-2-10-22

Dimensions

ID Height: 11mm
ID Width for LED: 14.4mm

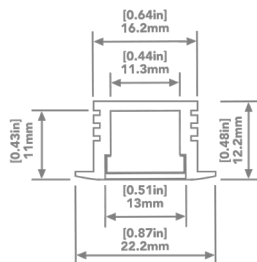
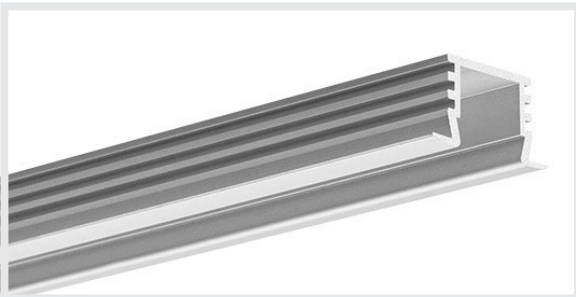
XCC-C-REC



Closet

22

67



SKU

Product	Collection	Name Code	Surface	Length
XCC	- C	- REC	-	-
			SA	1
			BK	2



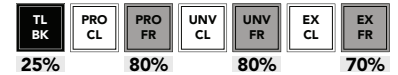
Description

Extrusion can fit slim design and thin furniture pieces.

Material



XCC-L Lenses



XLA-X Connectors

XLA-X-BLK-S25-2-10-22
XLA-X-BLK-S2W0-2-10-22

XCC-M Mounting

XCC-M-TYPA-BK-H	XCC-M-SLM-NA-H
XCC-M-TYPA-WT-H	
XCC-M-TYPA-SA-H	

Dimensions

ID Height: 10mm
ID Width for LED: 11.2mm

Refer to XFL product Data Sheet for specific lumen values.

Field modifications and installation must comply with all local and national codes as well as Xicato's installation methods, see xicato.com for more information. Manufacturer retains the right to change specification information at any time.

Xicato Channel Collection

XCC-C

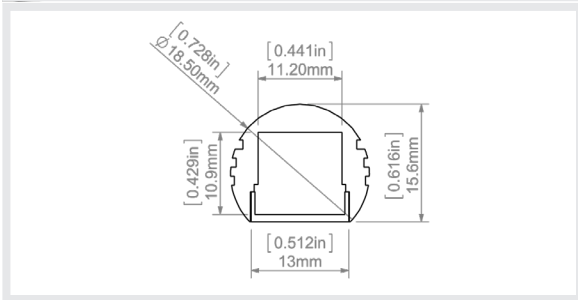
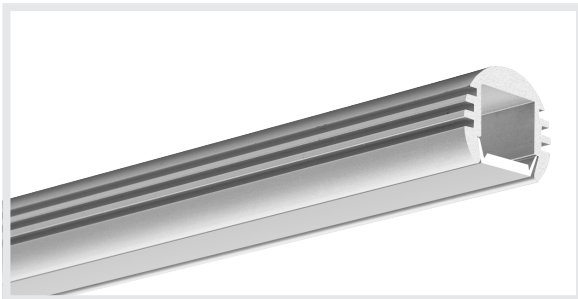
Project: _____ Designer: _____ Fixture: _____

XCC-C-RND



22

67



SKU

Product	Collection	Name Code	Surface	Length
XCC	- C	- RND	- SA	<input type="text"/>
				1
				2
				3



Description

Appealing form for hardly accessible areas.

Material

SA

XCC-L Lenses

TL BK	PRO CL	PRO FR	UNV CL	UNV FR	EX CL	EX FR
25%	80%	80%	70%			

XLA-X Connectors

XLA-X-BLK-S2S-2-10-22
XLA-X-BLK-S2W0-2-10-22

XCC-E End Caps

XCC-E-RND-NA-EC-STD
XCC-E-RND-NA-NC-STD
XCC-E-RND-NA-NC-HOLE

XCC-E-RND-SA-NC-STD

XCC-M Mounting

XCC-M-TYPA-BK-H
XCC-M-TYPA-WT-H
XCC-M-TYPA-SA-H

XCC-M-SLM-NA-H

Dimensions

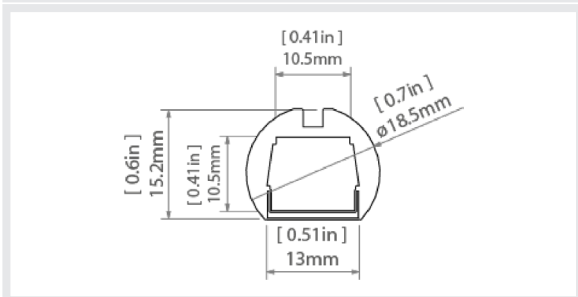
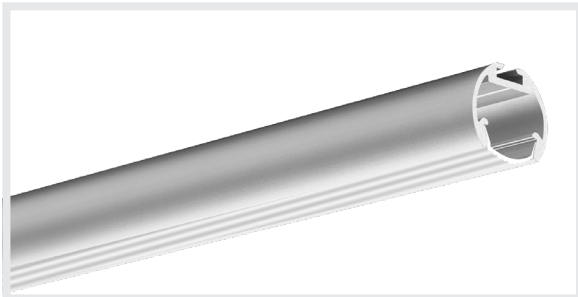
ID Height: 10mm
ID Width for LED: 11.2mm

XCC-C-RSM



22

67



SKU

Product	Collection	Name Code	Surface	Length
XCC	- C	- RSM	- SA	<input type="text"/>
				1
				2



Description

Enables obtaining a circular cross-section of the lighting fixture.

Material

SA

XCC-L Lenses

TL BK	UNV CL	UNV FR	EX CL	EX FR
25%			70%	

XLA-X Connectors

XLA-X-BLK-S2S-2-10-22
XLA-X-BLK-S2W0-2-10-22

XCC-E End Caps

XCC-E-RSM-NA-NC-STD
XCC-E-RSM-NA-EC-STD

Dimensions

ID Height: 10.5mm
ID Width for LED: 10.5mm

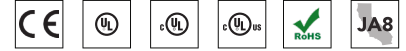
Refer to XFL product Data Sheet for specific lumen values.

Field modifications and installation must comply with all local and national codes as well as Xicato's installation methods, see xicato.com for more information. Manufacturer retains the right to change specification information at any time.

Xicato Channel Collection

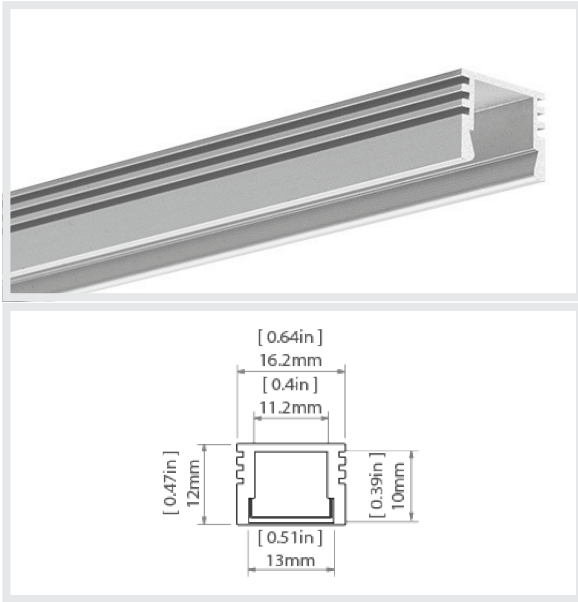
XCC-C

Project: _____ Designer: _____ Fixture: _____



XCC-C-DS12

- Closet
- 22
- 67



SKU

Product	Collection	Name Code	Surface	Length
XCC	C	DS12		
			SA	1
			BK	2
				3
			WT	2
			NA	1
				2

- SW
- HD
- FS
- SE
- US
- DW
- TW

Description

Small dimensions, easily release heat, simple assembly, lightweight, environment friendly.

Material

- NA
- SA
- BK
- WT

XCC-L Lenses

- TL BK 25%
- PRO CL 80%
- PRO FR 80%
- UNV CL 80%
- UNV FR 80%
- EX CL 70%
- EX FR 70%

XLA-X Connectors

- XLA-X-BLK-S2S-2-10-22
- XLA-X-BLK-S2W0-2-10-22

XCC-E End Caps

- XCC-E-S12-NA-EC-STD
- XCC-E-S12-NA-NC-STD
- XCC-E-S12-NA-NC-HOLE
- XCC-E-S12-BK-NC-STD
- XCC-E-S12-SA-NC-STD

XCC-M Mounting

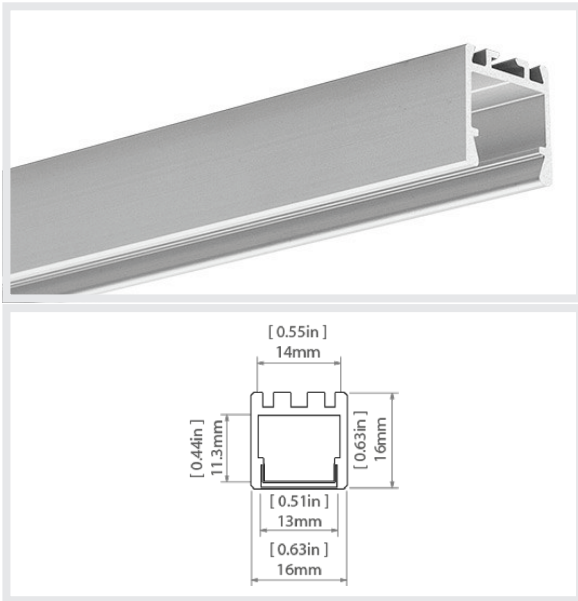
- XCC-M-TYPA-BK-H
- XCC-M-TYPA-WT-H
- XCC-M-TYPA-SA-H
- XCC-M-SLM-NA-H

Dimensions

ID Height: 10mm
ID Width for LED: 11.2mm

XCC-C-DS16

- Closet
- 22
- 67



SKU

Product	Collection	Name Code	Surface	Length
XCC	C	DS16	SA	
				1
				2
				3

- SW
- HD
- FS
- SE
- US
- DW
- TW

Description

Equipped with a small lock that allows the use of system fasteners and extrusion connectors.

Material

- SA

XCC-L Lenses

- TL BK 25%
- UNV CL 80%
- UNV FR 80%
- EX CL 70%
- EX FR 70%

XLA-X Connectors

- XLA-X-BLK-S2S-2-10-22
- XLA-X-BLK-S2W0-2-10-22
- XLA-X-SDL-S2S-2-10-22
- XLA-X-SDL-S2W0-2-10-22
- XLA-X-BTC-S2W0-2-10-22
- XLA-X-BTC-S2S-2-10-22

XCC-E End Caps

- XCC-E-S16-NA-NC-STD

Dimensions

ID Height: 11.3mm
ID Width for LED: 14mm

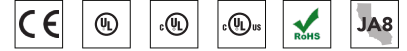
Refer to XFL product Data Sheet for specific lumen values.

Field modifications and installation must comply with all local and national codes as well as Xicato's installation methods, see xicato.com for more information. Manufacturer retains the right to change specification information at any time.

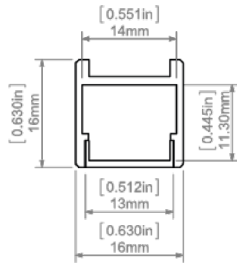
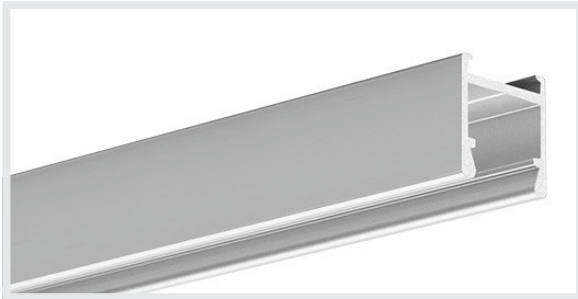
Xicato Channel Collection

XCC-C

Project: _____ Designer: _____ Fixture: _____



XCC-C-CS16



SKU

Product	Collection	Name Code	Surface	Length
XCC	- C	- CS16	- SA	<input type="text"/>
				1
				2
				3



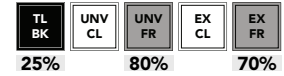
Description

The XCC-C-C16 has a structure and cross-section very similar to XCC-C-C16 and utilizes the concealed XCC-C-C16 mounting bracket.

Material



XCC-L Lenses



XLA-X Connectors

- XLA-X-BLK-S2S-2-10-22
- XLA-X-BLK-S2W0-2-10-22
- XLA-X-SDL-S2S-2-10-22
- XLA-X-SDL-S2W0-2-10-22
- XLA-X-BTC-S2W0-2-10-22
- XLA-X-BTC-S2S-2-10-22

XCC-M Mounting

- XCC-M-TYPA-NA-H

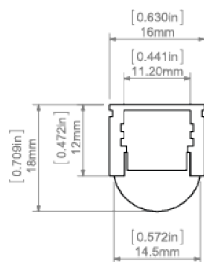
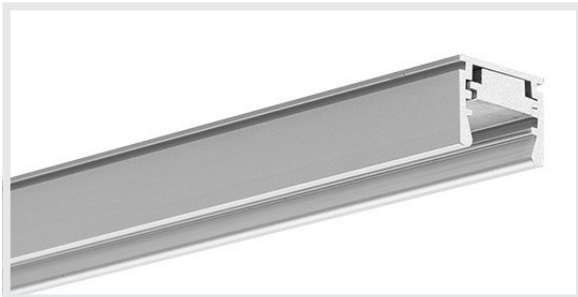
XCC-E End Caps

- XCC-E-S16-NA-NC-STD

Dimensions

ID Height: 11.3mm
ID Width for LED: 14mm

XCC-C-SPF



SKU

Product	Collection	Name Code	Surface	Length
XCC	- C	- SPF	- SA	<input type="text"/>
				1
				2
				3



Description

A movable insert for linear LEDs enabling four different lighting angles.

Material



XCC-L Lenses



XCC-M Mounting

- XCC-M-TYPA-BK-H
- XCC-M-TYPA-WT-H
- XCC-M-TYPA-SA-H

- XCC-M-SLM-NA-H

XCC-E End Caps

- XCC-E-SPF-NA-NC-STD
- XCC-E-SPF-NA-NC-HOLE

Dimensions

ID Height: 2.1mm
ID Width for LED: 11.2mm

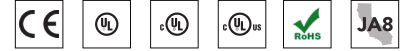
Refer to XFL product Data Sheet for specific lumen values.

Field modifications and installation must comply with all local and national codes as well as Xicato's installation methods, see xicato.com for more information. Manufacturer retains the right to change specification information at any time.

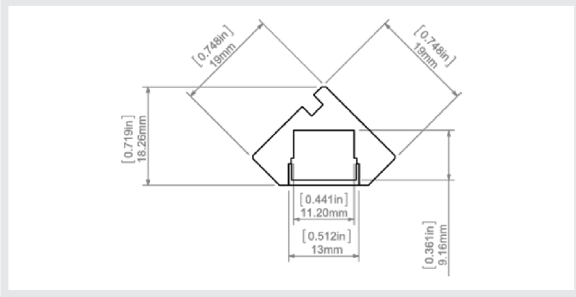
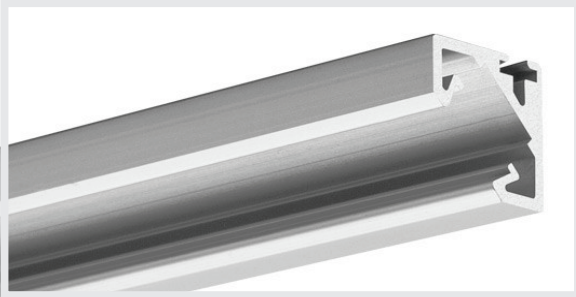
Xicato Channel Collection

XCC-C

Project: _____ Designer: _____ Fixture: _____



XCC-C-R17



SKU

Product	Collection	Name Code	Surface	Length
XCC	- C	- S45	- SA	<input type="text"/>
				1
				2



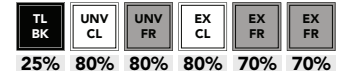
Description

XCC-C-045 extrusion is designed to build low lighting fixtures for universal use. It should be mainly used to illuminate the interiors of e.g. cupboards, show windows, etc.

Material



XCC-L Lenses



XLA-X Connectors

XLA-X-BLK-S25-2-10-22
XLA-X-BLK-S2W0-2-10-22

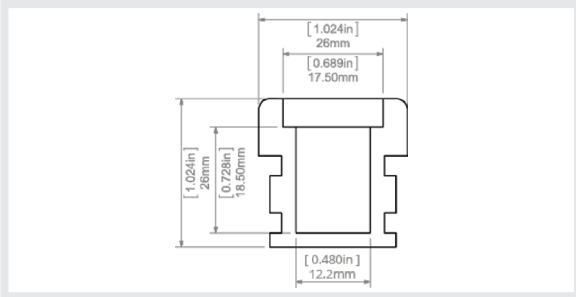
XCC-E End Caps

XCC-E-S45-NA-NC-STD

Dimensions

ID Height: 9.16mm
ID Width for LED: 10.8mm

XCC-C-GND



SKU

Product	Collection	Name Code	Surface	Length
XCC	- C	- GND	- NA	<input type="text"/>
				1
				2
				3



Description

XCC-C-GND frosted cover and densely spaced LEDs inside the extrusion will provide an effect of an even line of light. Due to its high load bearing capacity, the extrusion is ideal for high-traffic areas such as sidewalks, bike paths, environment friendly.

Material



XCC-L Lenses



XLA-X Connectors

XLA-X-BLK-S25-2-10-22
XLA-X-BLK-S2W0-2-10-22
XLA-X-BTC-S25-2-10-22
XLA-X-BTC-S2W0-2-10-22

XCC-E End Caps

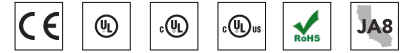
XCC-E-GND-NA-NC-HOLE
XCC-E-GND-NA-NC-STD

Dimensions

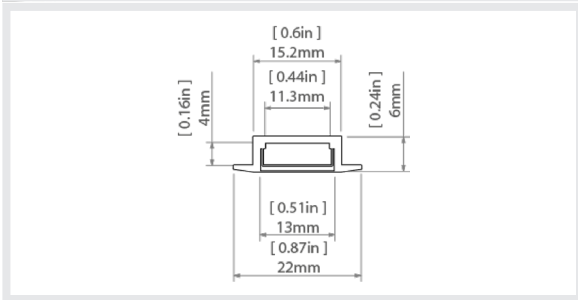
ID Height: 18.5mm
ID Width for LED: 12.2mm

Refer to XFL product Data Sheet for specific lumen values.

Field modifications and installation must comply with all local and national codes as well as Xicato's installation methods, see xicato.com for more information. Manufacturer retains the right to change specification information at any time.



XCC-C-R17



SKU

Product	Collection	Name Code	Surface	Length
XCC	- C	- MRC	- SA	<input type="text"/>
				1
				2



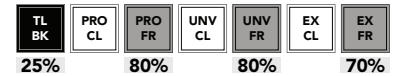
Description

Slim design and thin furniture pieces, special collar of the profile enables unaesthetic grooves to be covered (groove - a specially prepared narrow space in the surface) easy assembly, lightweight easily releases heat.

Material



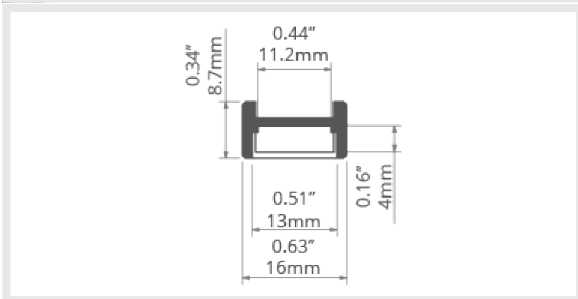
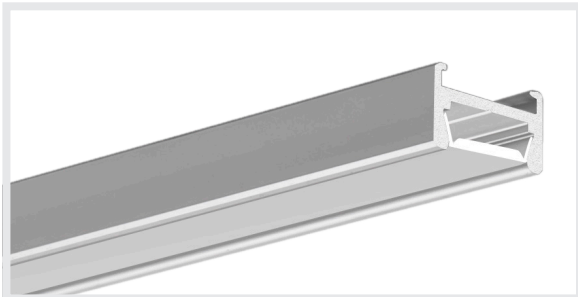
XCC-L Lenses



XCC-E End Caps
XCC-E-COVE-NA-NC-STD

Dimensions
ID Height: 4mm
ID Width for LED: 1mm

XCC-C-R17



SKU

Product	Collection	Name Code	Surface	Length
XCC	- C	- MSQ	- SA	<input type="text"/>
				1
				2



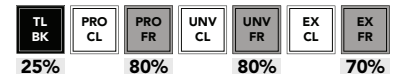
Description

Intended for construction of small size linear lighting fixtures, and snapped into the concealed XCC-C-C16 mounting bracket.

Material



XCC-L Lenses



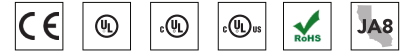
XCC-M Mounting
XCC-M-TYPA-NA-H

XCC-E End Caps
XCC-E-MSQ-NA-NC-STD

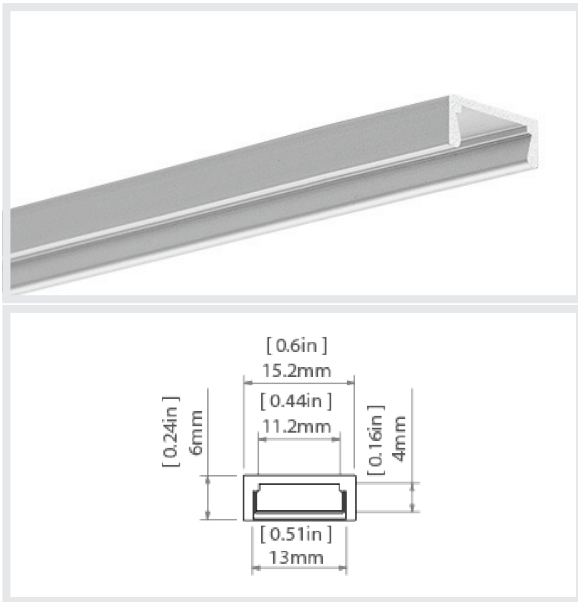
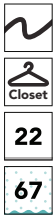
Dimensions
ID Height: 4mm
ID Width for LED: 11.2mm

Refer to XFL product Data Sheet for specific lumen values.

Field modifications and installation must comply with all local and national codes as well as Xicato's installation methods, see xicato.com for more information. Manufacturer retains the right to change specification information at any time.



XCC-C-SLM



SKU

Product	Collection	Name Code	Surface	Length
XCC	C	SLM		
			NA	1
			BK	2
			WT	2



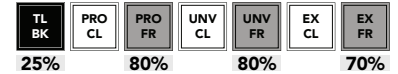
Description

Small dimensions (just 6mm; 0.25" high), extrusion can fit slim designs and thin furniture pieces, lightweight easily disperses heat.

Material



XCC-L Lenses



XCC-E End Caps

- XCC-E-SLM-NA-NC-STD
- XCC-E-SLM-NA-NC-HOLE
- XCC-E-SLM-SA-NC-STD

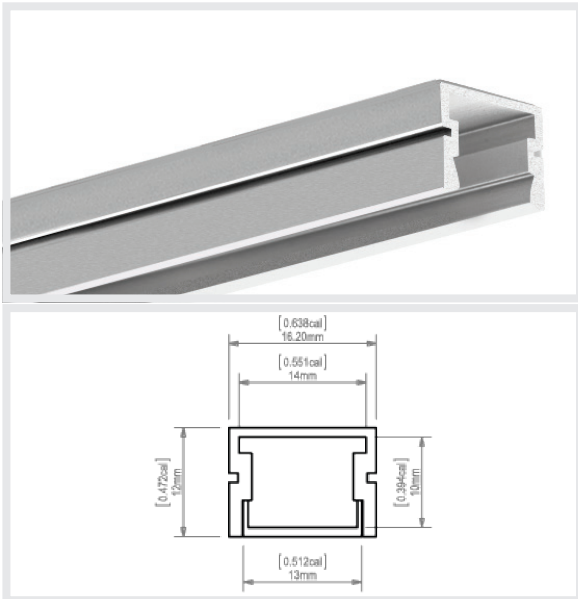
XCC-M Connectors

- XCC-M-TYPA-BK-H
- XCC-M-TYPA-WT-H
- XCC-M-TYPA-SA-H
- XCC-M-SLM-NA-V
- XCC-M-SLM-NA-H
- XCC-M-TYPA-NA-H

Dimensions

ID Height: 4mm
ID Width for LED: 11.2mmv

XCC-C-SS12



SKU

Product	Collection	Name Code	Surface	Length
XCC	C	SS12	SA	
				1
				2



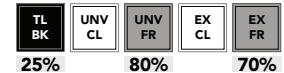
Description

Designed for the construction of indoor lighting fixtures with increased ingress protection.

Material



XCC-L Lenses



XLA-X Connectors

- XLA-X-BLK-S2S-2-10-22
- XLA-X-BLK-S2W0-2-10-22
- XLA-X-SDL-S2S-2-10-22
- XLA-X-SDL-S2W0-2-10-22
- XLA-X-BTC-S2W0-2-10-22
- XLA-X-BTC-S2S-2-10-22

XCC-E End Caps

- XCC-E-S12-NA-EC-STD
- XCC-E-S12-NA-NC-STD
- XCC-E-S12-NA-NC-HOLE

XCC-M Mounting

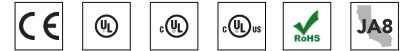
- XCC-M-TYPA-BK-H
- XCC-M-TYPA-WT-H
- XCC-M-TYPA-SA-H
- XCC-M-SLM-NA-H

Dimensions

ID Height: 10mm
ID Width for LED: 14mm

Refer to XFL product Data Sheet for specific lumen values.

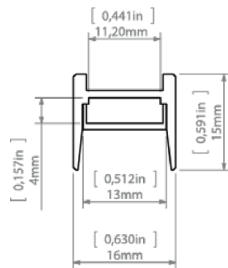
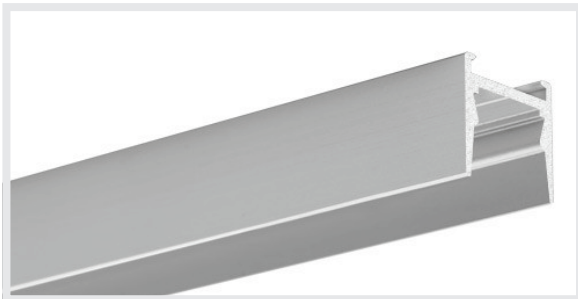
Field modifications and installation must comply with all local and national codes as well as Xicato's installation methods, see xicato.com for more information. Manufacturer retains the right to change specification information at any time.



XCC-C-SS15

22

67



SKU

Product	Collection	Name Code	Surface	Length
XCC	C	SS15		
			SA	1
			BK	2



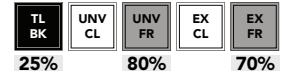
Description

Allows the use of more efficient, transparent covers, while eliminating the gleaming effect.

Material



XCC-L Lenses



XLA-X Connectors

XLA-X-BLK-S25-2-10-22
XLA-X-BLK-S2W0-2-10-22

XCC-E End Caps

XCC-E-SS15-NA-NC-STD
XCC-E-SS15-BK-NC-STD

XCC-M Mounting

XCC-M-TYPA-NA-H

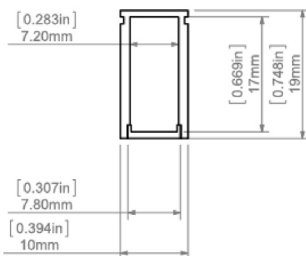
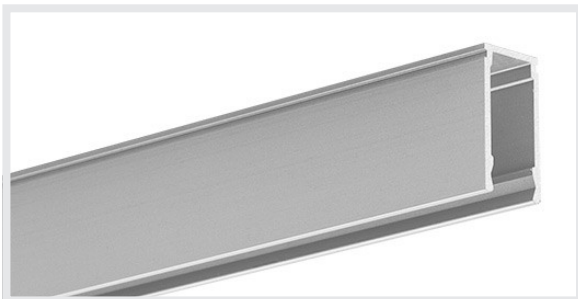
Dimensions

ID Height: 10mm
ID Width for LED: 11.2mm

XCC-C-USR



22



SKU

Product	Collection	Name Code	Surface	Length
XCC	C	USR	SA	
				1
				2



Description

Possibly the smallest extrusion with which you can obtain a line of light. The XCC-C-USR extrusion is useful in interior design, furniture, exhibitions. Mounted with two-sided adhesive.

Material



XCC-L Lenses



XCC-E End Caps

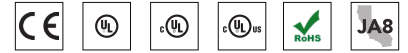
XCC-E-USS-NA-NC-STD
XCC-E-USR-NA-NC-STD

Dimensions

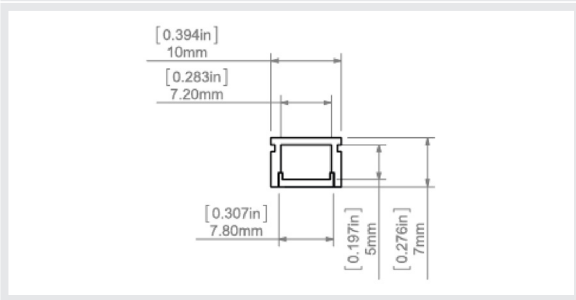
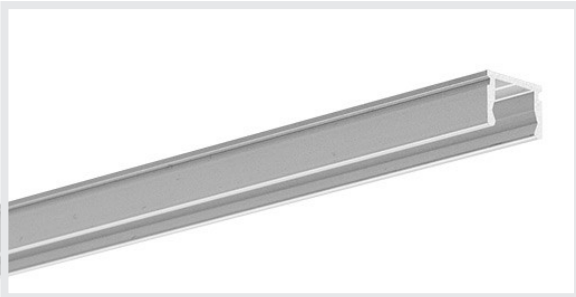
ID Height: 17mm
ID Width for LED: 7.2mm

Refer to XFL product Data Sheet for specific lumen values.

Field modifications and installation must comply with all local and national codes as well as Xicato's installation methods, see xicato.com for more information. Manufacturer retains the right to change specification information at any time.



XCC-C-USS



SKU

Product	Collection	Name Code	Surface	Length
XCC	- C	- USS	- SA	<input type="text"/>
				1
				2



Description

The XCC-C-USS extrusion is useful in interior design, furniture, and exhibitions.

Material



XCC-L Lenses



XCC-E End Caps

XCC-E-USS-NA-NC-STD

Dimensions

ID Height: 5mm
ID Width for LED: 7.2mm

Refer to XFL product Data Sheet for specific lumen values.

Field modifications and installation must comply with all local and national codes as well as Xicato's installation methods, see xicato.com for more information. Manufacturer retains the right to change specification information at any time.