



30W DALI Dimmable LED Driver

SOLOdrive 360 is a DALI dimmable, constant current LED driver with a single LED output. It is targeted at larger networked and smaller standalone installations that require dimmable, high-power, general white LED lighting. Dimming is beautiful - smooth all the way down to zero. SOLOdrive is programmable over LEDcode to suit a wide application area. LEDcode also allows easy extension of the SOLOdrive's feature set with time, motion and brightness based intelligence.

Applications

- Office lighting
- Hospitality lighting
- Retail lighting
- Architectural lighting
- High and Low Bay lighting

Features & benefits

Input

- Voltage: AC 120-277V
DC 120-250V
- Current, max: 0.35A
- Frequency: 50/60Hz

Output

- Voltage: 55V max
- Current range: settable from 200mA to 1,050mA
- Power: 30W max

General

- Power factor: > 0.90 at full load
- DALI compatible (IEC 62386-101/102/207)
- Hybrid HydraDrive: efficient, smooth and flicker-free dimming
- Full dimming control: 100%-0.1%, choice of linear or logarithmic dimming curve
- High efficiency over a wide power and voltage range: 86% at full load, ≥ 85% above 20W output
- Maximum (rated) power available over wide LED voltage (30-55V) and LED current range (200-1,050mA)
- NTC interface for robust thermal management
- LEDcode: programming interface (LED output current, NTC temperature, dimming curve, minimum dimming level) and sensor/extended feature set interface



SOLOdrive 360/S



SOLOdrive 360/B

Product offering

Description

SOLOdrive, 30W, DALI, constant current, 1x 55V LED output, bottom feed, metal square
 SOLOdrive, 30W, DALI, constant current, 1x 55V LED output, side feed, metal square

Product

SOLO 360/B
 SOLO 360/S

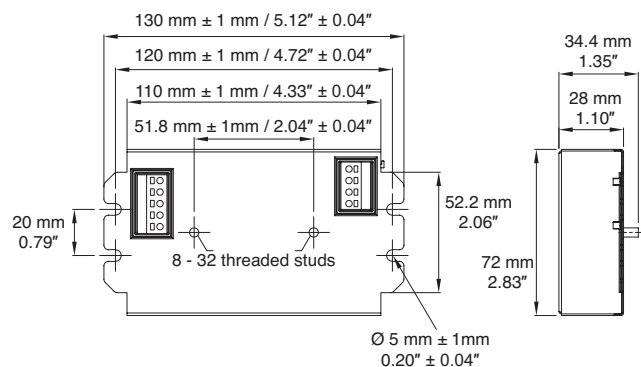
Order no.

SL0360B1
 SL0360S1

Dimensions, weight and packaging

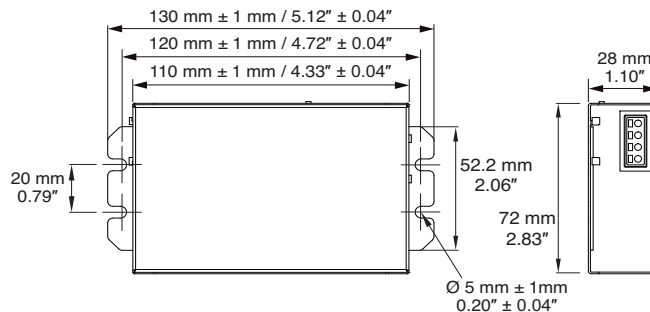
SOLOdrive 360/B

- Weight: 285.5 g, 10.07 oz
- Packaging: 40pcs/carton



SOLOdrive 360/S

- Weight: 285.5 g, 10.07 oz
- Packaging: 40pcs/carton



Connections

Connectors

- Primary side Power: Line, Neutral and Ground
DALI: + and -
- Secondary side LED output: + and -
LEDcode/NTC: + and -

Wiring

- Cross section: 0.5 - 1.5 mm², AWG 20 - 16
- Strip length: 9 mm / 0.35 in.

LEDcode configuration

- USB-LEDcode interface: TOOLbox pro (part number: TLU20503)
- FluxTool software: for Mac and PC freely downloadable from www.eldoled.com/fluxtool

Other information

Certifications

- CE
- EN 61347-1 / -2-7 / -2-13, EN 62384, EN 55015, EN 55022, EN 61000-3-2, EN 61547, EN 62386-101/102/207
- UL: Recognized Component for US and Canada (file no. E333135), according to UL1310 and UL8750. US: Class 2 output. Canada: Non-Class 2 output.
- ENEC by DEKRA
- EL

Environmental ratings

- Ta range: -20°C...+50°C / -4°F...+122°F
- Tc max: +75°C / +167°F
- For use in damp and dry locations

Control compatibility

- DALI control gear



Europe, Rest of World

eldoLED B.V.
Luchthavenweg 18a
NL-5657 EB Eindhoven
The Netherlands
T: +31 40 2054050
F: +31 40 2054058

North America

eldoLED America, Inc.
1762 Technology Drive #226
San Jose, CA 95110
USA
T: +1 408 451 9333
F: +1 408 451 9335

Other documentation and support

Visit www.eldoled.com/ACsupport for further documentation such as quick start guide, wiring diagram, tech sheet and 3D IGES files.

Warranty

eldoLED represents and warrants that for a period of 3 (three) years, as of the date of invoice, Products materially meet the specifications and specifically agreed upon quality, both as stated in the applicable datasheet and/or written design-in specifications, or as stated in writing otherwise by eldoLED, provided that these specifications are explicitly designated by eldoLED as "warranted specifications".

For the complete warranty text, visit www.eldoled.com/terms.