



### 30W 0-10V Dimmable LED Driver

SOLOdrive 361 is a 0-10V dimmable, constant current LED driver with a single LED output. It is targeted at larger networked and smaller stand-alone installations that require dimmable, high-power, general white LED lighting. Dimming is beautiful - smooth all the way down to zero.

SOLOdrive is programmable over LEDcode to suit a wide application area. LEDcode also allows easy extension of the SOLOdrive's feature set with time, motion and brightness based intelligence.

### Applications

- Office lighting
- Hospitality lighting
- Retail lighting
- Architectural lighting
- High and Low Bay lighting

### Features & benefits

#### Input

- Voltage: AC 120-277V  
DC 120-250V
- Current, max: 0.35A
- Frequency: 50/60Hz

#### Output

- Voltage: 55V max
- Current range: settable from 200mA to 1,050mA
- Power: 30W max

#### General

- Power factor: > 0.90 at full load
- 0-10V compatible (IEC 60929 Annex E). SOLOdrive 361/B and 361/S are current source drivers, compatible with both sink and current source controllers.  
For a list of compatible 0-10V dimmers, please visit [www.eldoled.com/compatibility](http://www.eldoled.com/compatibility).
- Hybrid HydraDrive: efficient, smooth and flicker-free dimming
- Full dimming control: 100%-0%, choice of linear or logarithmic dimming curve
- High efficiency over a wide power and voltage range: 86% at full load, ≥ 85% above 20W output
- Maximum (rated) power available over wide LED voltage (30-55V) and LED current range (200-1,050mA)
- NTC interface for robust thermal management
- LEDcode: programming interface (LED output current, NTC temperature, dimming curve, minimum dimming level) and sensor/extended feature set interface



SOLOdrive 361/B



SOLOdrive 361/S

### Product offering

#### Description

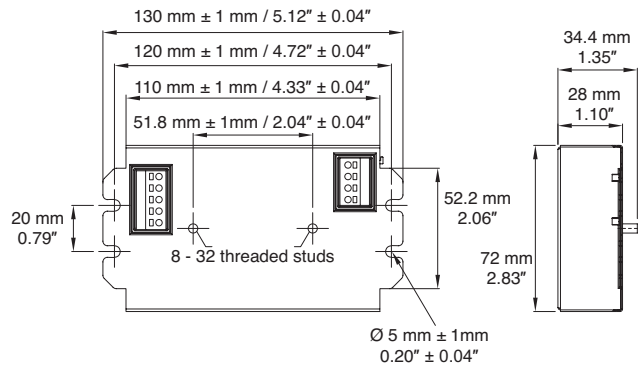
- SOLOdrive, 30W, 0-10V, constant current, 1x 55V LED output, bottom feed, metal square
- SOLOdrive, 30W, 0-10V, constant current, 1x 55V LED output, side feed, metal square

Product	Order no.
SOLO 361/B	SL0361B1
SOLO 361/S	SL0361S1

**Dimensions, weight and packaging**

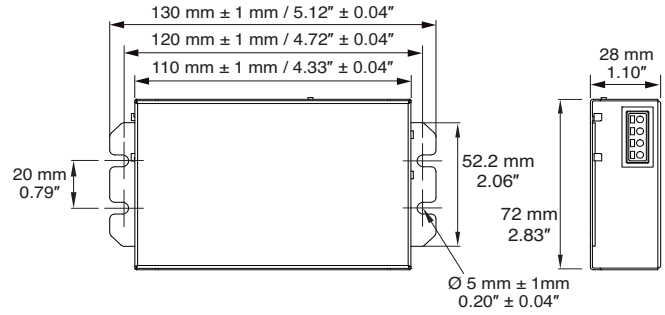
**SOLOdrive 361/B**

- Weight: 285.5 g, 10.07 oz
- Packaging: 40pcs/carton



**SOLOdrive 361/S**

- Weight: 285.5 g, 10.07 oz
- Packaging: 40pcs/carton



**Connections**

**Connectors**

- Primary side Power: Line, Neutral and Ground  
0-10V: + and -
- Secondary side LED output: + and -  
LEDcode/NTC: + and -

**Wiring**

- Cross section: 0.5 - 1.5 mm<sup>2</sup>, AWG 20 - 16
- Strip length: 9 mm / 0.35 in.

**LEDcode configuration**

- USB-LEDcode interface: TOOLbox pro (part number: TLU20503)
- FluxTool software: for Mac and PC freely downloadable from [www.eldoled.com/fluxtool](http://www.eldoled.com/fluxtool)

**Other information**

**Certifications**

- CE
- EN 61347-1 / -2-7 / -2-13, EN 62384, EN 55015, EN 55022, EN 61000-3-2, EN 61547, EN 60929 Annex E
- UL: Recognized Component for US and Canada (file no. E333135), according to UL1310 and UL8750. US: Class 2 output. Canada: Non-Class 2 output.
- ENEC by DEKRA
- EL

**Environmental ratings**

- Ta range: -20 °C to +50 °C / -4 °F to +122 °F
- Tc max: +80 °C / +176 °F
- Tc lifetime: +75 °C / +167 °F
- For use in damp and dry locations

**Control compatibility**

- Standard 0-10V dimmers, switches and dimming control systems



**Europe, Rest of World**

eldoLED B.V.  
Science Park Eindhoven 5125  
NL-5692 ED Son  
The Netherlands  
T: +31 40 2054050  
F: +31 40 2054058

**North America**

eldoLED America, Inc.  
1762 Technology Drive #226  
San Jose, CA 95110  
USA  
T: +1 408 451 9333  
F: +1 408 451 9335

**Other documentation and support**

Visit [www.eldoled.com/ACsupport](http://www.eldoled.com/ACsupport) for further documentation such as quick start guide, wiring diagram, tech sheet and 3D IGES files.

**Warranty**

eldoLED represents and warrants that for a period of 3 (three) years, as of the date of invoice, Products materially meet the specifications and specifically agreed upon quality, both as stated in the applicable datasheet and/or written design-in specifications, or as stated in writing otherwise by eldoLED, provided that these specifications are explicitly designated by eldoLED as "warranted specifications".

For the complete warranty text, visit [www.eldoled.com/terms](http://www.eldoled.com/terms).