

**CAUTION:** The device may only be connected and installed by a qualified electrician. All applicable regulations, legislation and building codes must be observed. Incorrect installation of the device can cause irreparable damage to the device and the connected LEDs.

### 12V - 48V DC IN

To connect the driver to a 12-48V DC power supply unit (PSU), connect the PSU's positive voltage supply wire to the VDC+ connector and the PSU's negative voltage supply wire to the VDC- connector. The driver and LEDs can use the same PSU.

### EXT in

You have the possibility to connect an external control device (10kΩ potentiometer or show selection switch) to the driver's Ext in+ and Ext in- connector. Configure the driver for use with an external control device over the 3-button user interface.

### DA+ / DA-

Use these connectors to connect the driver to a DALI network. Always combine a DA+ and a DA- connector for either data input or data output.

### DMX in/LedSync out

Use these connectors when the driver is used in a DMX network.

For DMX in, connect the network cable's DMX+, DMX- and DMX shielding wire (the orange/white, orange and brown wire in a CAT5 cable) to the DMX in+, DMX in- and DMX in shield connector respectively.

For LedSync out, connect the network cable's data+, data- and shielding wire to the LedSync out+, LedSync out- and LedSync shield connector respectively.

### LED groups

Indicates the location of the connectors for your LED groups. R(ed) represents channel 1, G(reen) represents channel 2, B(lue) represents channel 3 and W(hite) represents channel 4. The default group color allocation can be changed over the 3-button user interface.

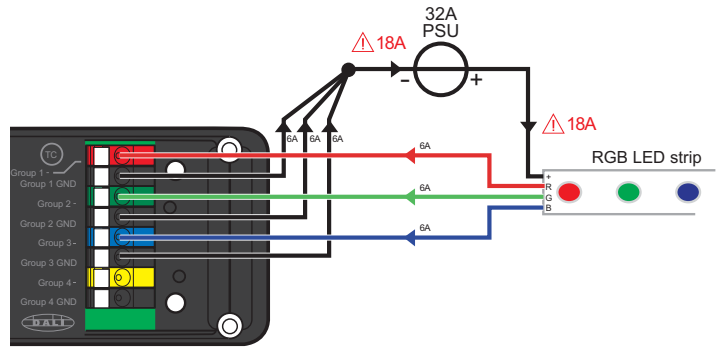
**Connecting an RGB LED strip**

Maximum current per output: 6A

Use a star connection for the ground wires and keep the length of the wires that deal with high amperages under 10 - 15cm / 3.9 - 5.9 inch.

Configuration of the LED groups:

Press M and + simultaneously, in the LED menu choose RGB and save this setting by pressing M.



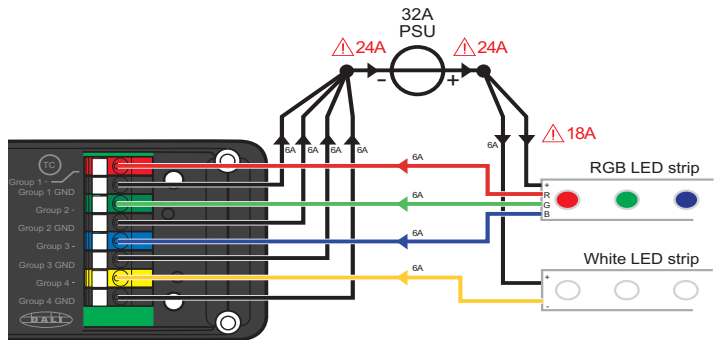
**Connecting an RGB strip and a white LED strip**

Maximum current per output: 6A

Use a star connection for the ground wires and keep the length of the wires that deal with high amperages under 10 - 15cm / 3.9 - 5.9 inch.

Configuration of the LED groups:

Press M and + simultaneously, in the LED menu choose RGBW and save this setting by pressing M.



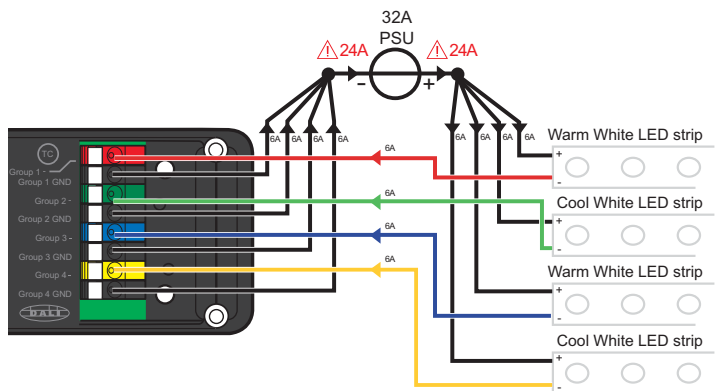
**Connecting warm white and cool white LED strips**

Maximum current per output: 6A

Use a star connection for the ground wires and keep the length of the wires that deal with high amperages under 10 - 15cm / 3.9 - 5.9 inch.

Configuration of the LED groups:

Press M and + simultaneously, in the LED menu choose 4-L and save this setting by pressing M.



**Connecting four white or self-colored LED strips**

Maximum current per output: 6A

Use a star connection for the ground wires and keep the length of the wires that deal with high amperages under 10 - 15cm / 3.9 - 5.9 inch.

Configuration of the LED groups:

Press M and + simultaneously, in the LED menu choose 1-4L and save this setting by pressing M.

