

Electrical specifications

Input

- Voltage:
 - 120-250V AC, 50-60Hz
 - 120-250V DC
 - 120-277V AC, 50-60Hz (UL approved)
- Current, max: 0.7A



Output

- Power: 50W max
- Voltage: 55V max
- Current range: 200 - 1,050 mA (configurable)
- Current: +/- 5% accuracy



General

- Standby power: < 0.5W
- Inrush current: negligible, 30mA²s @ 277V
- Surge protection: 1kV differential mode surge, 2kV common mode surge
- Efficiency: 89% at full load, ≥ 85% above 67% load
- Power factor: > 0.9
- THD: <20% between 67% and 100% load
- DMX / RDM: USITT DMX512A and ANSI E1.20 (explore & address)
- Three (562) or four (561) LED outputs

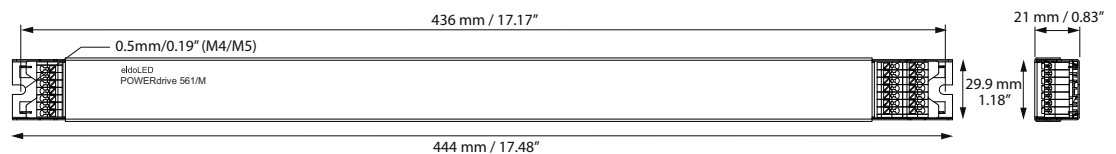


Dimensions, weight and packaging

POWERdrive 561/M

Weight: 360 g, 12.7 oz

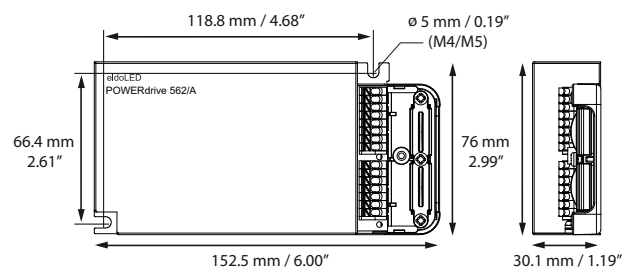
Packaging: 8 or 28 pcs/carton



POWERdrive 561/A, 562/A

Weight: 372 g, 13.12 oz

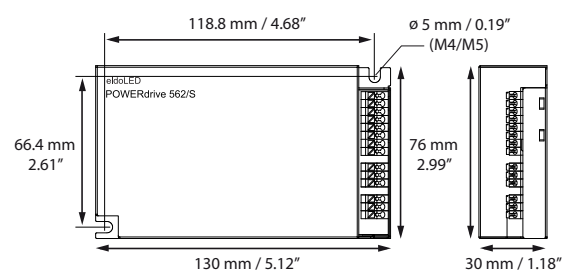
Packaging: 6 or 45 pcs/carton



POWERdrive 561/S, 562/S

Weight: 350 g, 12.35 oz

Packaging: 6, 10 or 45 pcs/carton



Wiring data

- Wire type: solid or stranded copper
- Wire strip length: 9mm, 0.35 in.
- Wire core cross section: 0.5 - 1.5 mm², AWG 20 - 16
- For POWERdrive 561/S and 561/A only:
onboard DMX out and LEDcode connector: Molex 87437-0843

- Maximum LED wiring length:

AWG value	20	19	18	17	16
Distance (m)	14	18	22	28	36
Distance (ft)	46	59	72	92	118

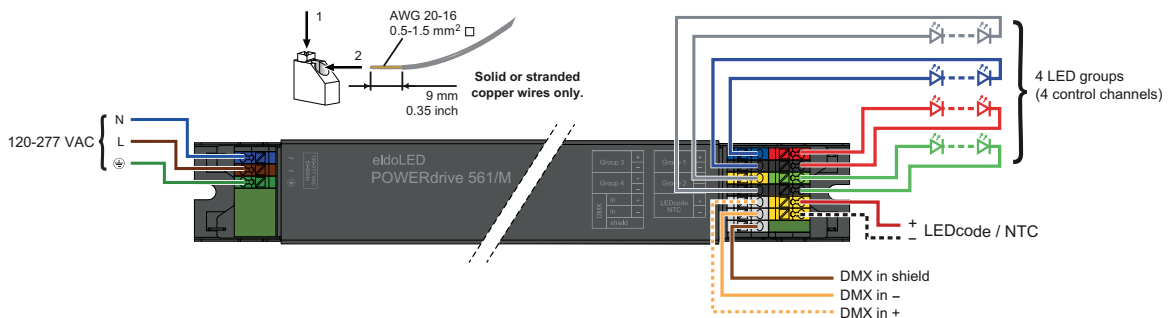
Optional available wiring harness:

WH0081S1: wiring harness, 8-pin Molex, DMX, POWERdrive 561/S and 561/A

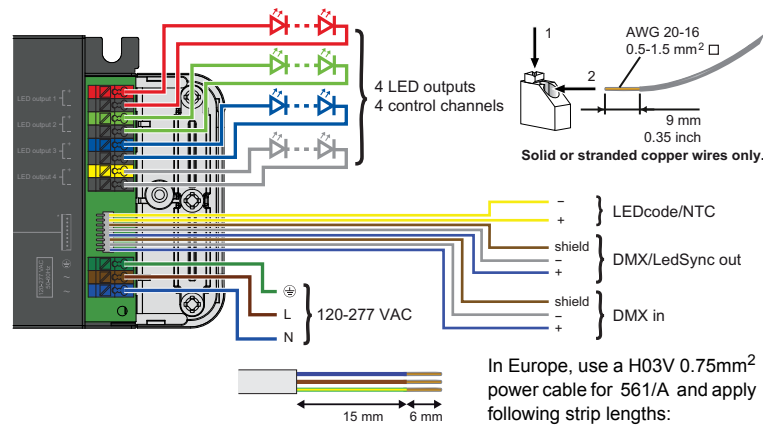
⚠ Please observe voltage drop over long cable lengths.

⚠ Longer cable lengths increase EMI susceptibility.

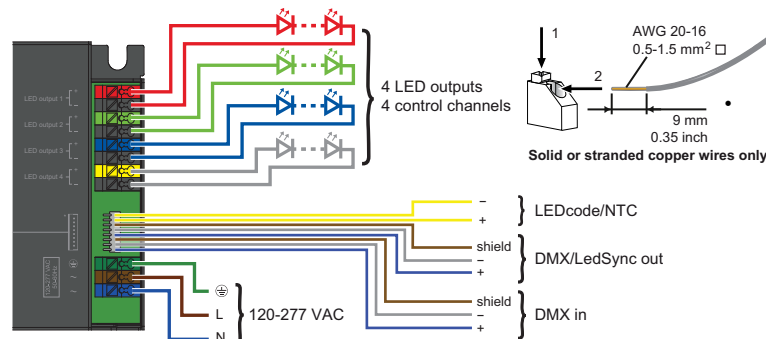
POWERdrive 561/M



POWERdrive 561/A



POWERdrive 561/S

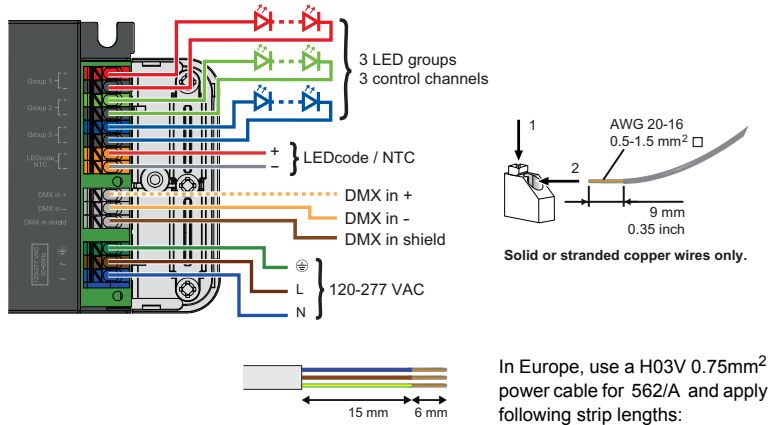


⚡ WARNING: Risk of electrical shock. May result in serious injury or death. Disconnect power before servicing or installing.

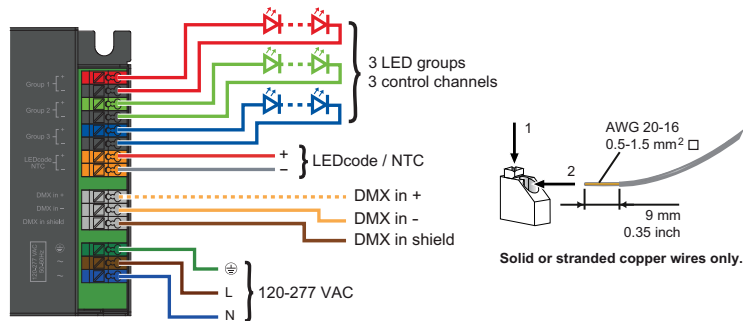
⚠ CAUTION: The device may only be connected and installed by a qualified electrician. All applicable regulations, legislation and building codes must be observed. Incorrect installation of the device can cause irreparable damage to the device and the connected LEDs.

⚠ CAUTION: Pay attention when connecting the LED groups: polarity reversal results in no light output and often damages the LEDs.

POWERdrive 562/A



POWERdrive 562/S



Other information

Thermal

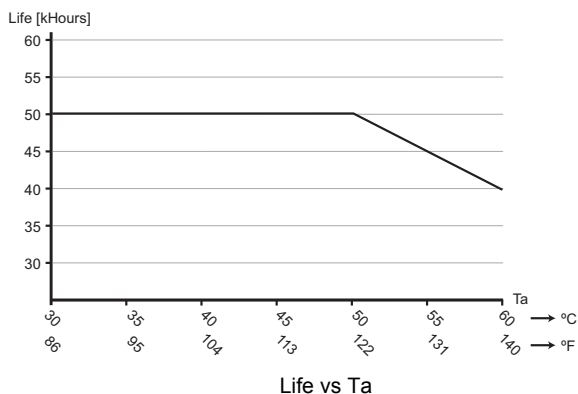
- Ta range: -20 °C to +50 °C / -4 °F to +122 °F
- Tc max: 85 °C / 185 °F
- Tc lifetime: 78 °C / 172 °F (561/S, 561/M, 562/S, 562/A)
72 °C / 161.6 °F (561/A)
- LED temperature feedback using 47kΩ NTC thermistor.
Recommended thermistors by Vishay:
 - NTCS0805E4473JXT (SMD version)
 - 238164063473 (leaded version)
 - NTCASCWE3473J (screw version)

Certifications

- EN 61347-1 / -2-7 / -2-13, EN 62384, EN 55015, EN 55022, EN 61000-3-2, EN 61547
- CE
- ENEC by DEKRA
- EL: EN 61347-2-7
- UL: Recognized Component (file no E333135), according to UL1310, UL8750. US/Canada: Class 2 output.
- FCC: Title 47CFR Part 15 Class B
- RCM (561/A and 561/S pending)



Lifetime data



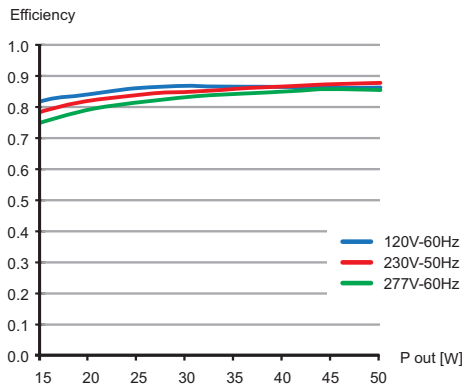
- Life expectancy of 50K hours at Ta of lower or equal to 50 °C / 122 °F
- MTBF: 480,000 hours

All measurements have been carried out at maximum load in free air without heat sink.

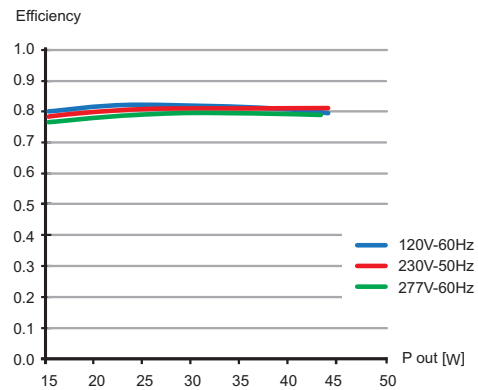
All lifetime-related figures are the result of simulations. Actual lifetime tests are ongoing.

The following efficiency, power factor and THD diagrams are the result of measurements of a worst case scenario: the LED outputs were stressed at full load.

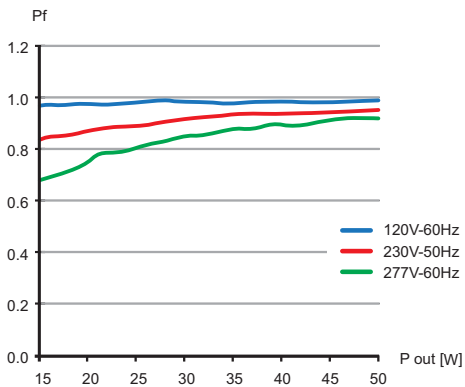
Efficiency data (561/M, 562/S, 562/A)



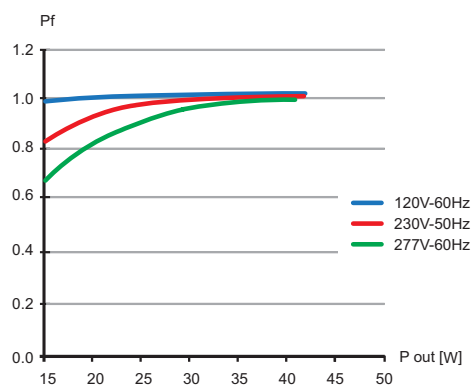
Efficiency data (561/S, 561/A)



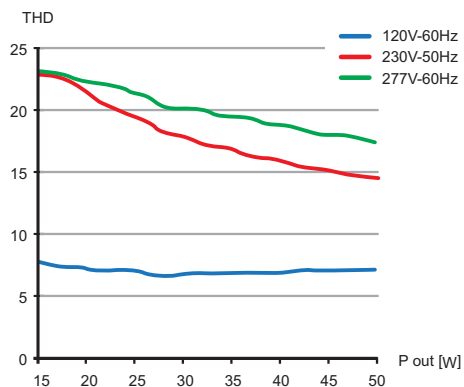
Power factor data (561/M, 562/S, 562/A)



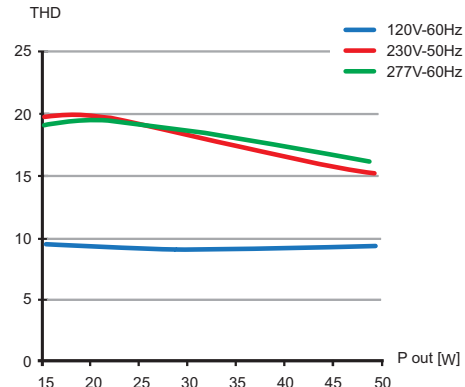
Power factor data (561/S, 561/A)



Total Harmonic Distortion data (561/M, 562/S, 562/A)



Total Harmonic Distortion data (561/S, 561/A)



Europe, Rest of World

eldoLED B.V.
 Science Park Eindhoven 5125
 NL-5692 ED Son
 The Netherlands
 T: +31 40 7820400
 E: sales@eldoled.com

North America

eldoLED America
 One Lithonia Way
 Conyers, GA 30012
 USA
 T: +1 877 353-6533
 E: nasales@eldoled.com

Warranty

eldoLED represents and warrants that for a period of 3 (three) years, as of the date of invoice, Products materially meet the specifications and specifically agreed upon quality, both as stated in the applicable data-sheet and/or written design-in specifications, or as stated in writing otherwise by eldoLED, provided that these specifications are explicitly designated by eldoLED as "warranted specifications". For the complete warranty text, visit www.eldoled.com.

Other documentation and support

Visit www.eldoled.com/support for further documentation such as quick start guide, wiring diagram, tech sheet and 3D IGES files.