

### Electrical specifications

#### Input

- Voltage:
  - 120-250V AC, 50-60Hz
  - 120-250V DC
  - 120-277V AC, 50-60Hz (UL approved)
- Current, max: 0.7A



#### Output

- Power: 50W max
- Voltage: 55V max
- Current range: 200 - 1,050 mA (configurable)
- Current: +/- 5% accuracy



#### General

- Standby power: < 0.5W
- Inrush current: negligible, 30mA<sup>2</sup>s @ 277V
- Surge protection: 1kV differential mode surge, 2kV common mode surge
- Efficiency: 89% at full load, ≥ 85% above 67% load
- Power factor: > 0.9
- THD: <20% between 67% and 100% load
- DMX / RDM: USITT DMX512A and ANSI E1.20 (explore & address)
- Three (562) or four (561) LED outputs

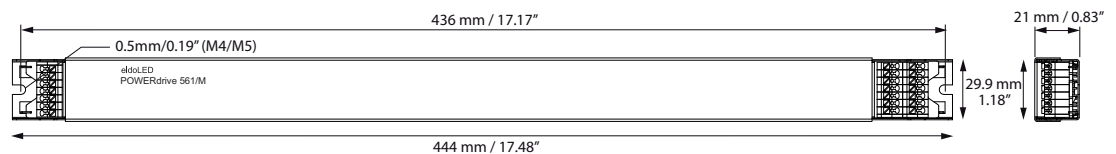


### Dimensions, weight and packaging

#### POWERdrive 561/M

Weight: 360 g, 12.7 oz

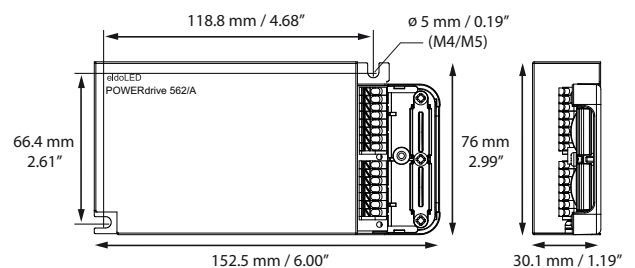
Packaging: 8 or 28 pcs/carton



#### POWERdrive 561/A, 562/A

Weight: 372 g, 13.12 oz

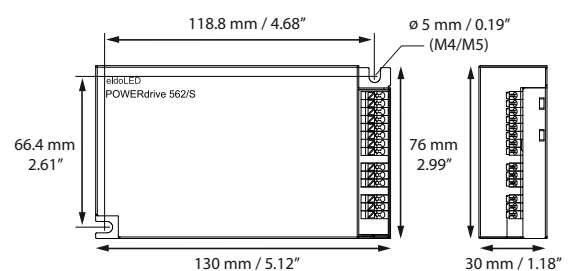
Packaging: 6 or 45 pcs/carton



#### POWERdrive 561/S, 562/S

Weight: 350 g, 12.35 oz

Packaging: 6, 10 or 45 pcs/carton



**Wiring data**

- Wire type: solid or stranded copper
- Wire strip length: 9mm, 0.35 in.
- Wire core cross section: 0.5 - 1.5 mm<sup>2</sup>, AWG 20 - 16
- For POWERdrive 561/S and 561/A only:  
onboard DMX out and LEDcode connector: Molex 87437-0843

- Maximum LED wiring length:

AWG value	20	19	18	17	16
Distance (m)	14	18	22	28	36
Distance (ft)	46	59	72	92	118

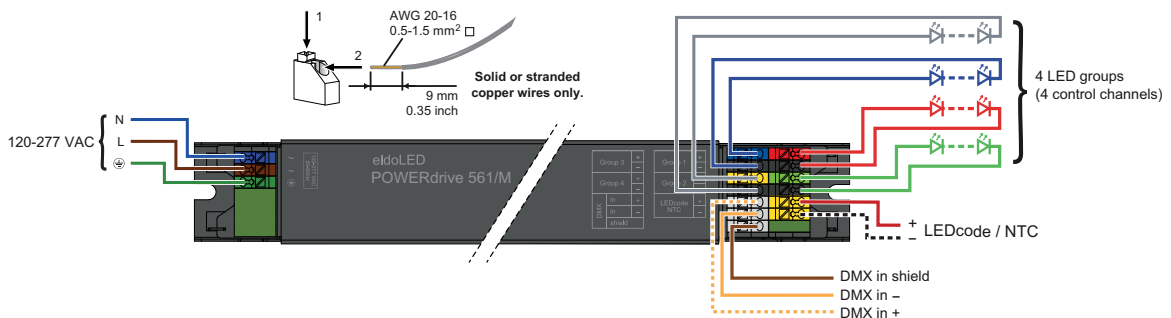
Optional available wiring harness:

WH0081S1: wiring harness, 8-pin Molex, DMX, POWERdrive 561/S and 561/A

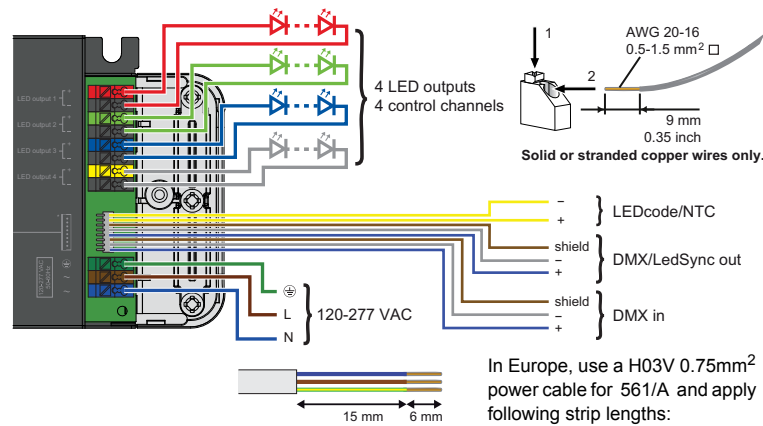
⚠ Please observe voltage drop over long cable lengths.

⚠ Longer cable lengths increase EMI susceptibility.

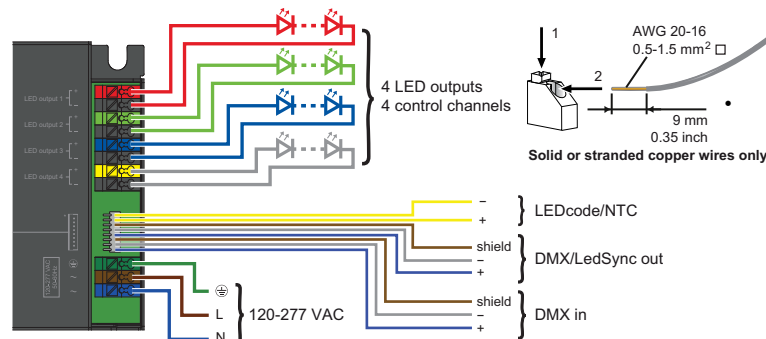
**POWERdrive 561/M**



**POWERdrive 561/A**



**POWERdrive 561/S**

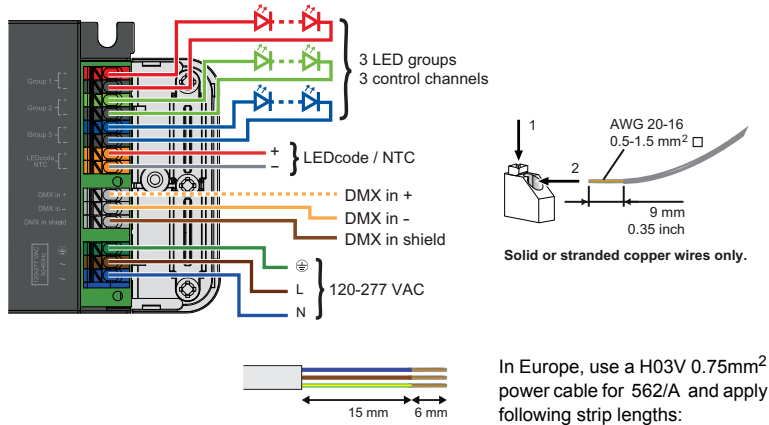


⚡ **WARNING:** Risk of electrical shock. May result in serious injury or death. Disconnect power before servicing or installing.

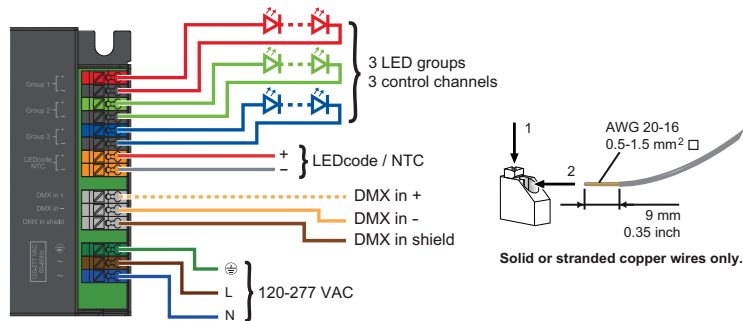
⚠ **CAUTION:** The device may only be connected and installed by a qualified electrician. All applicable regulations, legislation and building codes must be observed. Incorrect installation of the device can cause irreparable damage to the device and the connected LEDs.

⚠ **CAUTION:** Pay attention when connecting the LED groups: polarity reversal results in no light output and often damages the LEDs.

**POWERdrive 562/A**



**POWERdrive 562/S**



**Other information**

**Thermal**

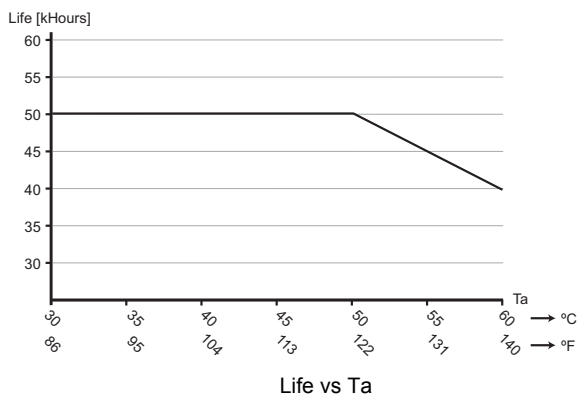
- Ta range: -20 °C to +50 °C / -4 °F to +122 °F
- Tc max: 85 °C / 185 °F
- Tc lifetime: 78 °C / 172 °F (561/S, 561/M, 562/S, 562/A)  
72 °C / 161.6 °F (561/A)
- LED temperature feedback using 47kΩ NTC thermistor.  
Recommended thermistors by Vishay:
  - NTCS0805E4473JXT (SMD version)
  - 238164063473 (leaded version)
  - NTCASCWE3473J (screw version)

**Certifications**

- EN 61347-1 / -2-7 / -2-13, EN 62384, EN 55015, EN 55022, EN 61000-3-2, EN 61547
- CE
- ENEC by DEKRA
- EL: EN 61347-2-7
- UL: Recognized Component (file no E333135), according to UL1310, UL8750. US/Canada: Class 2 output.
- FCC: Title 47CFR Part 15 Class B
- RCM (561/A and 561/S pending)



**Lifetime data**



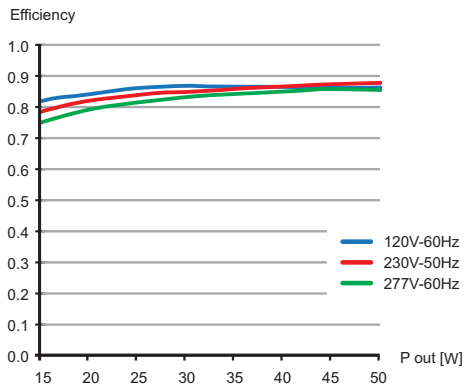
- Life expectancy of 50K hours at Ta of lower or equal to 50 °C / 122 °F
- MTBF: 480,000 hours

All measurements have been carried out at maximum load in free air without heat sink.

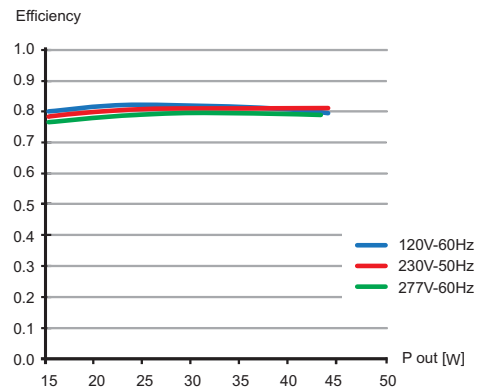
All lifetime-related figures are the result of simulations. Actual lifetime tests are ongoing.

The following efficiency, power factor and THD diagrams are the result of measurements of a worst case scenario: the LED outputs were stressed at full load.

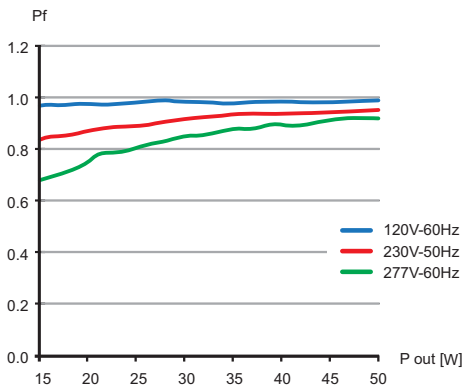
Efficiency data (561/M, 562/S, 562/A)



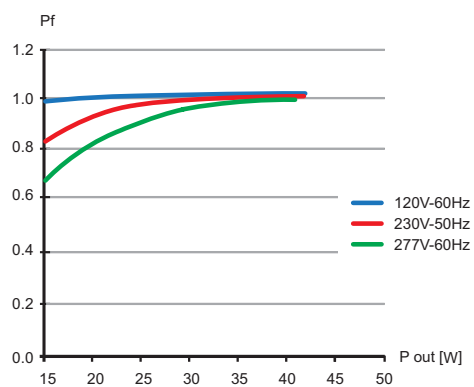
Efficiency data (561/S, 561/A)



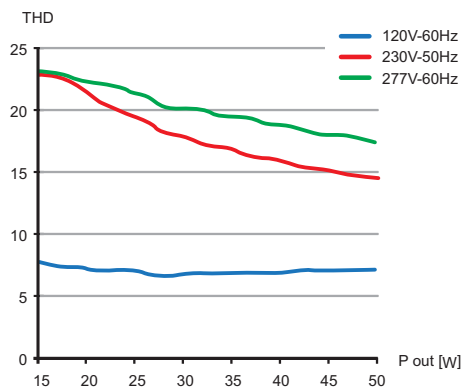
Power factor data (561/M, 562/S, 562/A)



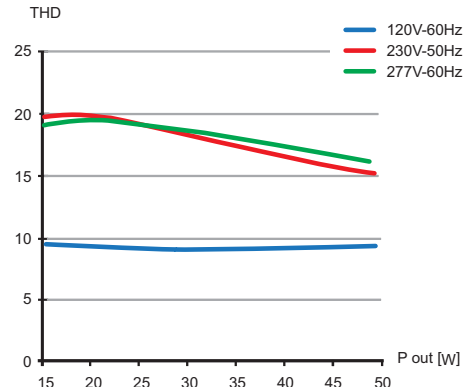
Power factor data (561/S, 561/A)



Total Harmonic Distortion data (561/M, 562/S, 562/A)



Total Harmonic Distortion data (561/S, 561/A)



**Europe, Rest of World**

eldoLED B.V.  
 Science Park Eindhoven 5125  
 NL-5692 ED Son  
 The Netherlands  
 T: +31 40 7820400  
 E: sales@eldoled.com

**North America**

eldoLED America  
 One Lithonia Way  
 Conyers, GA 30012  
 USA  
 T: +1 877 353-6533  
 E: nasales@eldoled.com

**Warranty**

eldoLED represents and warrants that for a period of 3 (three) years, as of the date of invoice, Products materially meet the specifications and specifically agreed upon quality, both as stated in the applicable data-sheet and/or written design-in specifications, or as stated in writing otherwise by eldoLED, provided that these specifications are explicitly designated by eldoLED as "warranted specifications". For the complete warranty text, visit [www.eldoled.com](http://www.eldoled.com).

**Other documentation and support**

Visit [www.eldoled.com/support](http://www.eldoled.com/support) for further documentation such as quick start guide, wiring diagram, tech sheet and 3D IGES files.