



Symbiosis, Dual 0-10V to DALI translator

Product offering



Product name	Symbiosis Dual 0-10V to DALI translator
Part number (P/N)	SC4202L1
Product description	Symbiosis Connecting, Dual 0-10V to DALI translator, 2 control channels

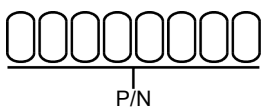
Features & benefits

LightShape	Enables 0-10V control of eldoLED DUALdrive drivers for Tunable White applications
Plug & Play	No DALI commissioning in combination with eldoLED DUALdrive drivers
Certification	UL Listed for factory and field installations
DALI power	Provides up to 30mA of DALI bus power (supports up to 15 drivers)
Wide input voltage range	120-277 VAC Compatible
Installation	Mountable in UL remote or fixture enclosure for zone or individual luminaire control

Warranty

Warranty period	General Terms and Conditions
-----------------	--

Order number configurator



P/N	Part number of product
-----	------------------------

Dual 0-10V to DALI translator

Input characteristics

Input voltage	AC 120 - 250V (ENEC), 120 - 277V (UL)
Input current (RMS)	20 mA max
Input frequency	50-60 Hz

Output characteristics

Number of outputs	2 DALI groups
DALI groups	Group 0: Intensity Group 1: CCT
DALI bus power	30 mA maximum
DALI bus voltage	15 V

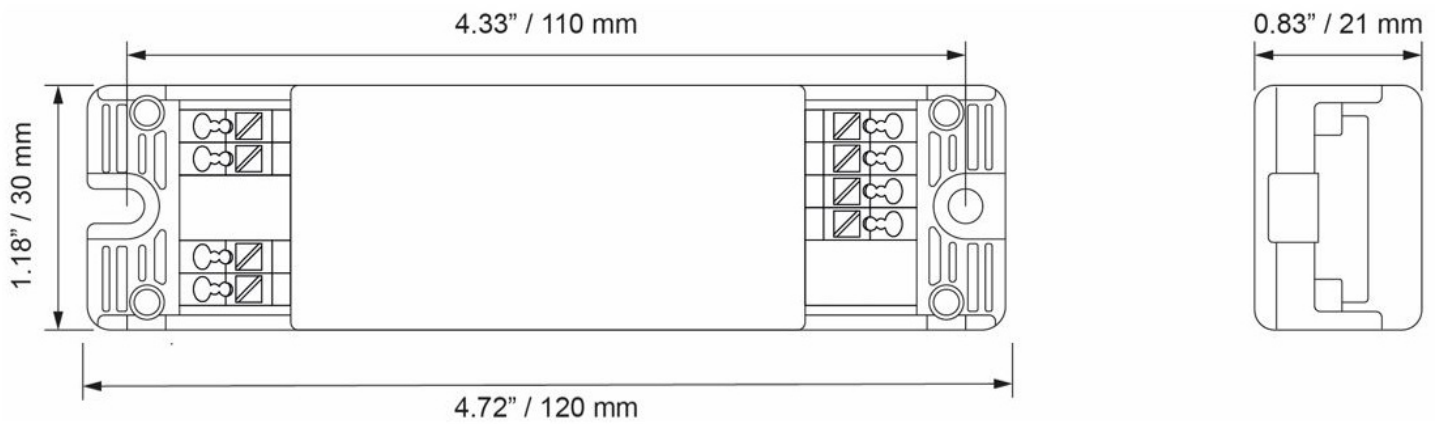
Control characteristics

Control channels	2 analog inputs
Protocol	0-10V
Dimming range	100% - 0.1% for DUALdrive, programmed with LightShape Tunable White
Dimming curve	Linear

Environmental conditions

Operating ambient temperature (Ta) range	-20 °C to +50 °C
Maximum operating case temperature (Tc max)	70 °C
Lifetime	Excess of 50,000 hours
Humidity	IP20 damp and dry

Mechanical details



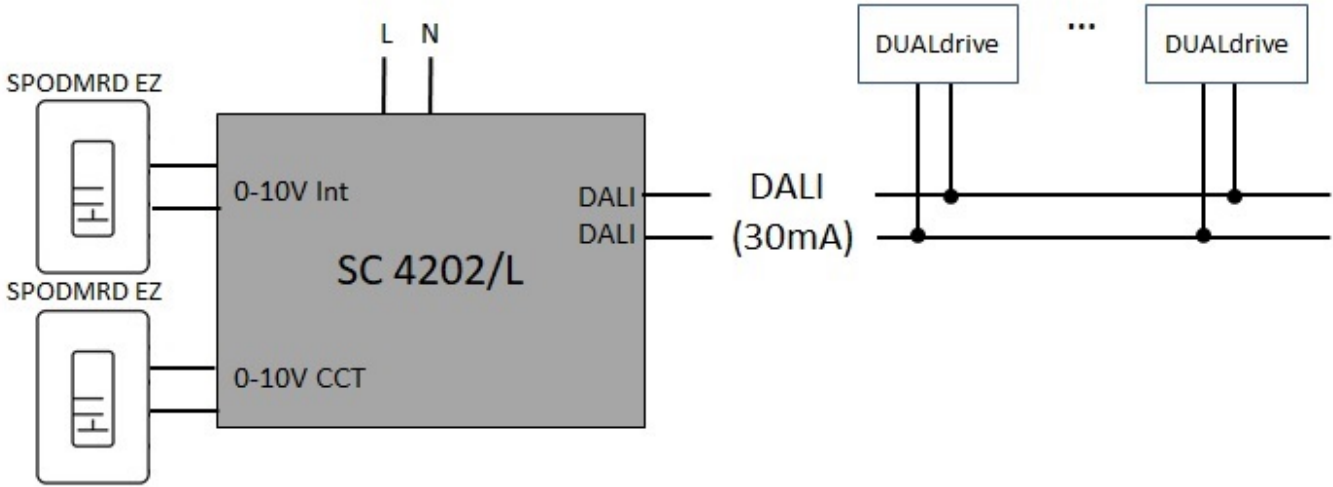
Length	120 mm tolerance: 0.2 mm
Width	30 mm tolerance: 0.2 mm
Height	21 mm tolerance: 0.6 mm
Mounting hole distance	110 mm
Weight	25 g
Mounting screw	M4
Mounting torque	not to exceed 0.5 Nm

Packaging

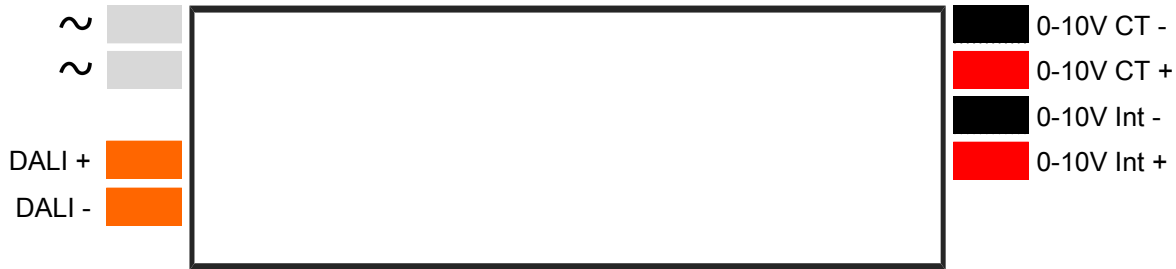
Length x Width x Height	165 x 30 x 24
Weight (including products)	27 g
Products per box	1 pcs
Products per skid	Per delivery schedule

Dual 0-10V to DALI translator

System wiring diagram



Connector layout



Wiring specifications

Connector type	Wago 250 series
Wire type	solid or stranded copper
Wire core cross section	0.5 - 1.5 mm ² AWG 20 -16
Wire strip length	9.0 mm 11/32 inch

Dual 0-10V to DALI translator

Standards & compliance

UL Listed	File E491530
DALI	EN 62386-101
ENEC safety	EN 61347-1 EN 61347-2-11
0-10V	IEC 60929 Annex E ESTA E1.3
Restriction of hazardous substances	RoHS3 (Directives 2011/65/EU-2015/863/EU)

Certifications



Europe, Rest of World

eldoLED B.V.
Science Park Eindhoven 5125
5692 ED Son
The Netherlands

E: info@eldoled.com
W: www.eldoled.com

North America

eldoLED America
One Lithonia Way
Conyers, GA 30012
USA

E: info@eldoled.com
W: www.eldoled.com