



TOOLbox adapter

Introduction

The TOOLbox adapter is an add-on to the [TOOLbox pro](#) that enables programming of eldoLED drivers without line voltage. It is required if OEM configuration jigs are to be used. For an overview on driver & software compatibility see [Compatibility overview for eldoLED Tooling](#).

What is included	TOOLbox adapter One 3ft (1m) RJ45 to RJ45 cable
------------------	--

Product offering



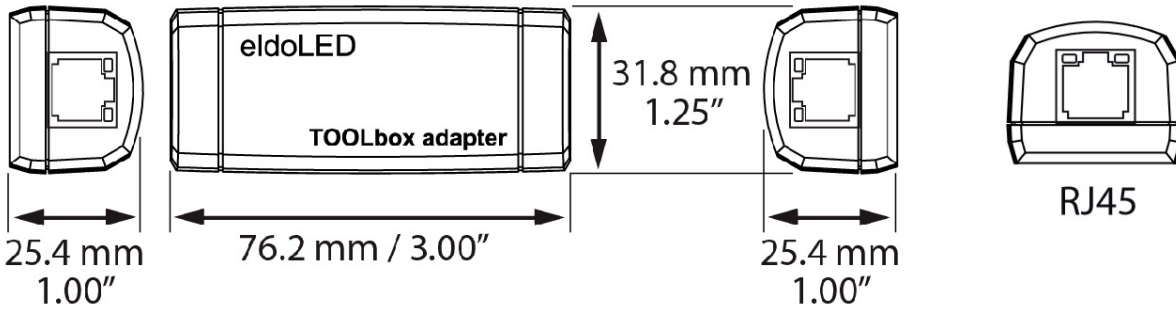
Product	Description	Part number	CI code
TOOLbox adapter	Add-on for TOOLbox to enable powerless programming	TLA20501 REV. 2A	*252T6W

Accessories

Product	Description	Part number	CI code
TOOLbox pro replacement cable	2ft (0.6m) RJ45 to LEDcode, DALI, DMX cable	TLC03051	*236MG0
TOOLbox pro	eldoLED TOOLbox pro v18.11 HW Rev 4.2	TLU20504-REV004	*26037Y
3.5mm Touch-and-Go Programmer	3.5mm handheld programmer for FluxTool	PJ0035HH1	*245LJ9
5.0mm Touch-and-Go Programmer	5.0mm handheld programmer for FluxTool	PJ0050HH1	*245LJC



Product details



Weight	33 g
Data in	USB A (PC) to mini USB (TOOLbox)
Data out	RJ45 DMX: pin 1 (DMX+), 2 (DMX-) and 7 (DMX shield) DALI: pin 4 (DALI -) and 5 (DALI +) LEDcode: pin 6 (LEDcode+) and pin 8 (LEDcode-)
Operating ambient temperature (Ta) range	-20 °C to +50 °C

Warranty

Warranty period	General Terms and Conditions
-----------------	--

Safety



Use of a galvanic USB isolator may be required to avoid LED engine damage while using the TOOLbox with PC that is not properly grounded.

Europe, Rest of World

eldoLED B.V.
Science Park Eindhoven 5125
5692 ED Son
The Netherlands

E: info@eldoled.com
W: www.eldoled.com

North America

eldoLED America
One Lithonia Way
Conyers, GA 30012
USA

E: info@eldoled.com
W: www.eldoled.com