



## TOOLbox pro

### Introduction

The TOOLbox pro is a powerful configuration device that provides the physical link between your PC and your eldoLED driver. Used in combination with [FluxTool](#) or [ShowMaster DMX](#), TOOLbox pro offers the ability to configure drivers via LEDcode and DMX. It may also be used with the [TOOLbox adapter](#) to enable configuration without line voltage (see [Compatibility overview for eldoLED Tooling](#) for details).

What is included	TOOLbox pro One 3ft (1m) USB A to mini USB cable One 2ft (0.6m) RJ45 to LEDcode, DALI, DMX cable
------------------	--

### Product offering

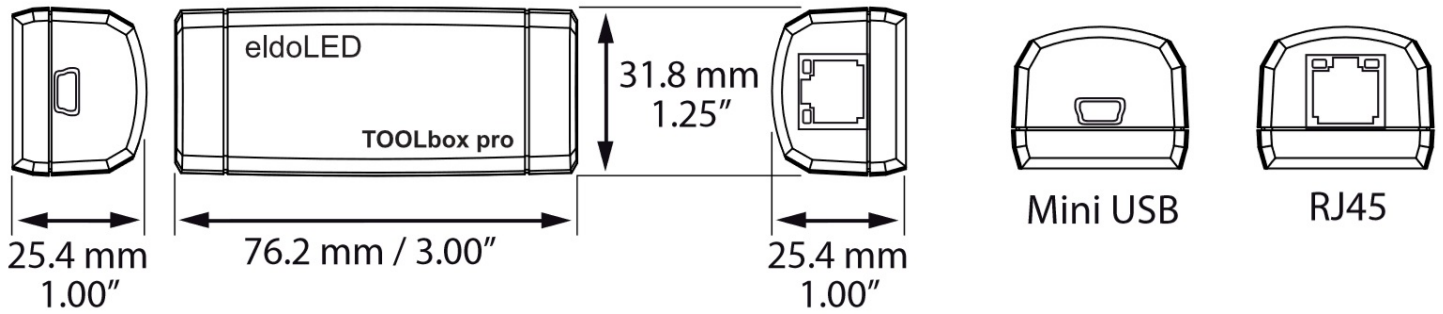


Product	Description	Part number	CI code
TOOLbox pro	eldoLED TOOLbox pro v18.11 HW Rev 4.2	<a href="#">TLU20504-REV004</a>	*26037Y

### Accessories

Product	Description	Part number	CI code
TOOLbox pro replacement cable	2ft (0.6m) RJ45 to LEDcode, DALI, DMX cable	TLC03051	*236MG0
TOOLbox adapter	Add-on for TOOLbox to enable powerless programming	<a href="#">TLA20501 REV. 2A</a>	*252T6W
3.5mm Touch-and-Go Programmer	3.5mm handheld programmer for FluxTool	<a href="#">PJ0035HH1</a>	*245LJ9
5.0mm Touch-and-Go Programmer	5.0mm handheld programmer for FluxTool	<a href="#">PJ0050HH1</a>	*245LJC

### Product details



Weight	30 g
Data in	USB A (PC) to mini USB (TOOLbox)
Data out	RJ45 DMX: pin 1 (DMX+), 2 (DMX-) and 7 (DMX shield) DALI: pin 4 (DALI -) and 5 (DALI +) LEDcode: pin 6 (LEDcode+) and pin 8 (LEDcode-)
Operating ambient temperature (Ta) range	-20 °C to +50 °C

### Warranty

Warranty period	<a href="#">General Terms and Conditions</a>
-----------------	--

### Certifications



### Safety



Use of a galvanic USB isolator may be required to avoid LED engine damage while using the TOOLbox with PC that is not properly grounded.

#### Europe, Rest of World

eldoLED B.V.  
Science Park Eindhoven 5125  
5692 ED Son  
The Netherlands

E: [info@eldoled.com](mailto:info@eldoled.com)  
W: [www.eldoled.com](http://www.eldoled.com)

#### North America

eldoLED America  
One Lithonia Way  
Conyers, GA 30012  
USA

E: [info@eldoled.com](mailto:info@eldoled.com)  
W: [www.eldoled.com](http://www.eldoled.com)