



Light
is our passion

100W 0-10V/DALI 'Dim to Dark' LED Drivers

Input characteristics

Input voltage AC	120-250V (ENEC approved) 120-277V (UL approved)
Input voltage DC	120-275V
Input current	1.05A max @ 120V/60Hz 0.5A max @ 230V/50Hz 0.45A max @ 277V/60Hz
Input frequency	50-60Hz
Efficiency	90% @ full load, ≥87% above 50% load
Power factor	>0.94
THD	<10%
Inrush current	35A 240µs @ 120V/60Hz 67A 240µs @ 230V/50Hz 75A 240µs @ 277V/60Hz
Surge protection	3kV (L to N), 4kV (L/N to GND)
Standby power	<0.5W

Output characteristics

LED output power	100W max
LED output current range	200-1,050mA (settable per output)
LED output current resolution	1mA
LED output current tolerance	+/- 5%
LED outputs	4 (UL Class 2)
LED output voltage range	2-57V
Control channels	1

Control characteristics

Dimming protocol	DALI (1060) or 0-10V (1061)
Dimming range	100%-0% (Hybrid HydraDrive)
Dimming curve	linear or logarithmic
Driver configuration	with TOOLbox pro and FluxTool
0-10V isolation	to line voltage input: 1500V (1061) to LED output: 3750V (1061)
0-10V current draw	<2mA

Product offering



SOLOdrive 1060/A **P/N: SL1060A1**
SOLOdrive AC, 100W, DALI, 1 ballast, constant current, 4x 57V outputs, long metal/plastic

SOLOdrive 1061/A **P/N: SL1061A1**
SOLOdrive AC, 100W, 0-10V, 1 control channel, constant current, 4x 57V outputs, long metal/plastic



SOLOdrive 1060/M **P/N: SL1060M1**
SOLOdrive AC, 100W, DALI, 1 ballast, constant current, 4x 57V outputs, long metal

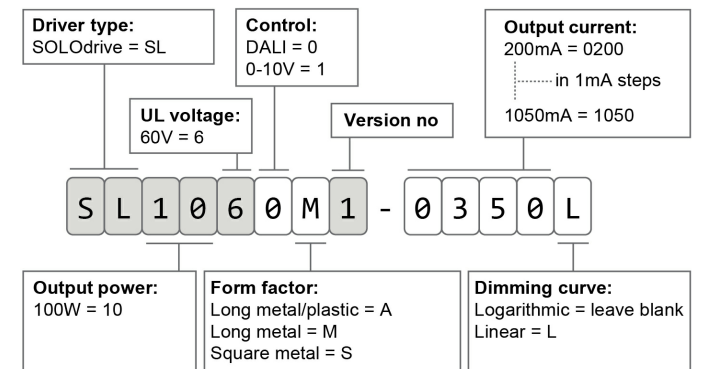
SOLOdrive 1061/M **P/N: SL1061M1**
SOLOdrive AC, 100W, 0-10V, 1 control channel, constant current, 4x 57V outputs, long metal



SOLOdrive 1060/S **P/N: SL1060S1**
SOLOdrive AC, 100W, DALI, 1 ballast, constant current, 4x 57V outputs, square metal

SOLOdrive 1061/S **P/N: SL1061S1**
SOLOdrive AC, 100W, 0-10V, 1 control channel, constant current, 4x 57V outputs, square metal

Order number configuration



Dimensions, weight and packaging

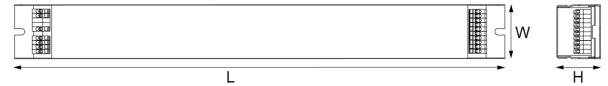
SOLOdrive 1060/A, 1061/A

LxWxH	388x42x30mm / 15.27x1.65x1.18in
Weight	666 g / 23.5 oz
Drivers per carton	20 pcs



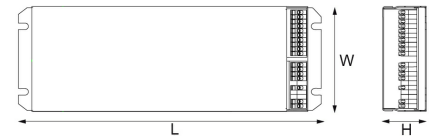
SOLOdrive 1060/M, 1061/M

LxWxH	370x41x30mm / 14.57x1.61x1.18in
Weight	846 g / 29.8 oz
Drivers per carton	20 pcs



SOLOdrive 1060/S, 1061/S

LxWxH	230x80x30mm / 9.06x3.15x1.18in
Weight	912.5 g / 32 oz
Drivers per carton	20 pcs



Standards and certifications

Standards compliance

EN	61347-1/-2-7/-2-13, 62384, 55015, 55022, 61000-3-2, 61547, 62386-101/-102/-207 (SL1060)
FCC	47 CFR Part 15 class B
RoHS	RoHS2

Certifications



UL	Recognized Component for US and Canada (file no. E333135), according to UL1310 and UL8750. US/Canada: Class 2 output.
----	---

Wiring Specifications

Wire type	AWG 20-16, 0.5-1.5mm ² Solid or stranded copper
Wire strip length	9mm / 0.35in

Wiring diagrams

SOLOdrive 1060/A, 1061/A, 1060/M, 1061/M



SOLOdrive 1060/S, 1061/S



Thermal protection

External NTC thermistor	throttling @ 70 °C / 158 °F (settable)
External thermistor value	47kΩ
Recommended thermistors	NTCS0805E4473JXT (SMD) 238164063473 (leaded) NTCASCWE3473J (screw)

Thermal specification

Ta operating range	-40 °C ... +50 °C / -40 °F ... +122 °F
Tc max	90 °C / 194 °F (1060/A, 1061/A) 85 °C / 185 °F (1060/M, 1061/M) 83 °C / 181 °F (1060/S, 1061/S)