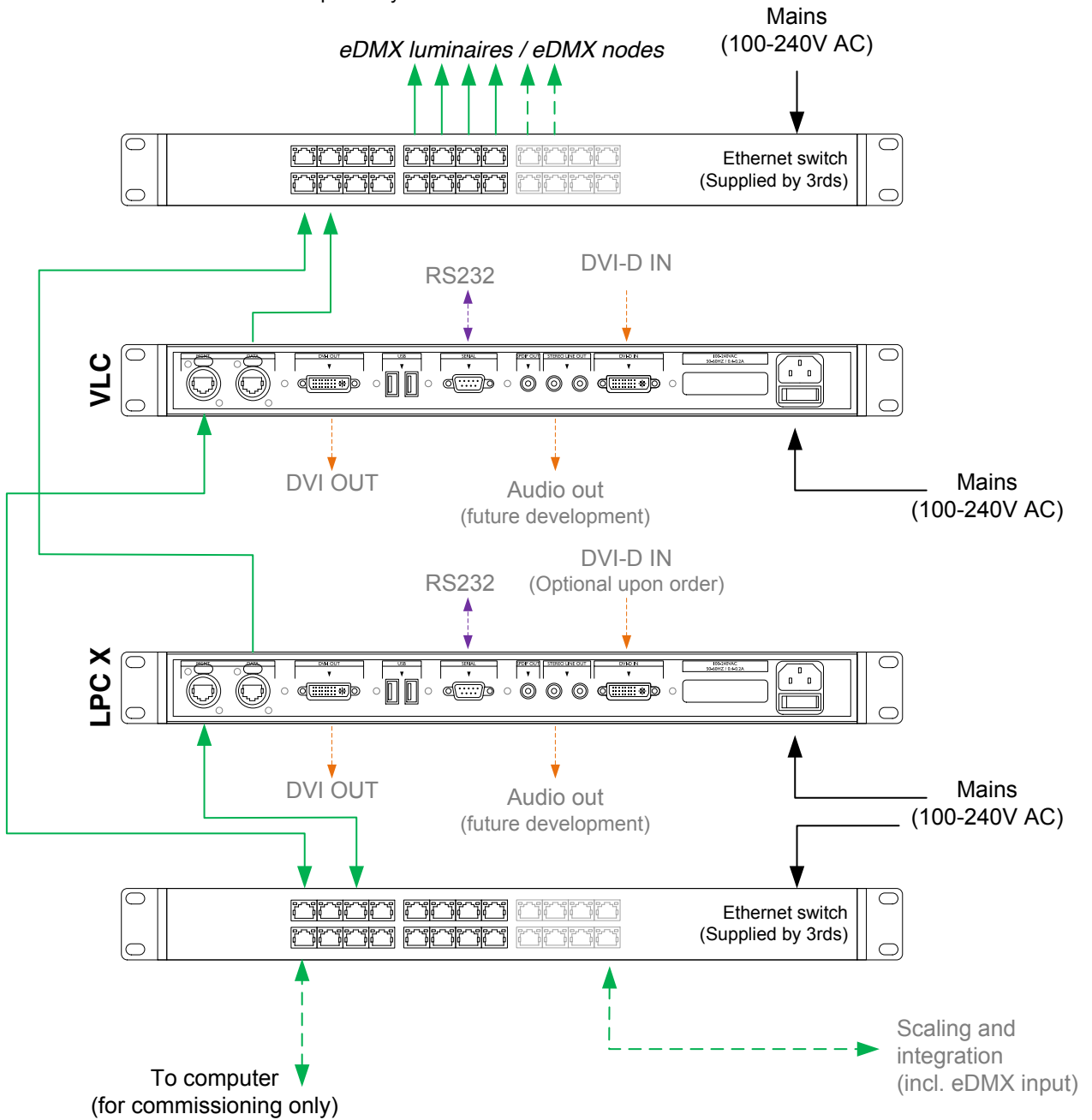



<b>Type:</b>	<b>LPC X (X=10,20,30...100) (e.g. LPC 20) &amp; VLC__ ( __=50,100,250,500,1000,1500) (e.g. VLC100)</b>
<b>DMX</b>	via eDMX to DMX nodes
<b>eDMX</b>	≤ __ *512 channels (LPC X) + __ *512 channels (VLC)
<b>Total</b>	≤ e.g. 10,240 + 51,200 channels

**Note:** VLC channels are used to control a single composition of fixtures. The LPC X can control its channels with complete freedom. The DVI-D input is local to the VLC / LPC X channels respectively.



**note:** DVI-D IN content can only be used on luminaires patched on that particular controller

- Consult the **Installation Guide** for technical details
- See **General Notes.pdf** for information on cabling types
- **More configurations** are possible to fulfil any project
- Contact your supplier or visit our website for support

 pharoscontrols.com	Reference: 2016	Name: LPC X & VLC (dual network)		
	Size: A4	Date: 07/11/2016	Rev: V 1.0	Notes: Setup
	Page:			