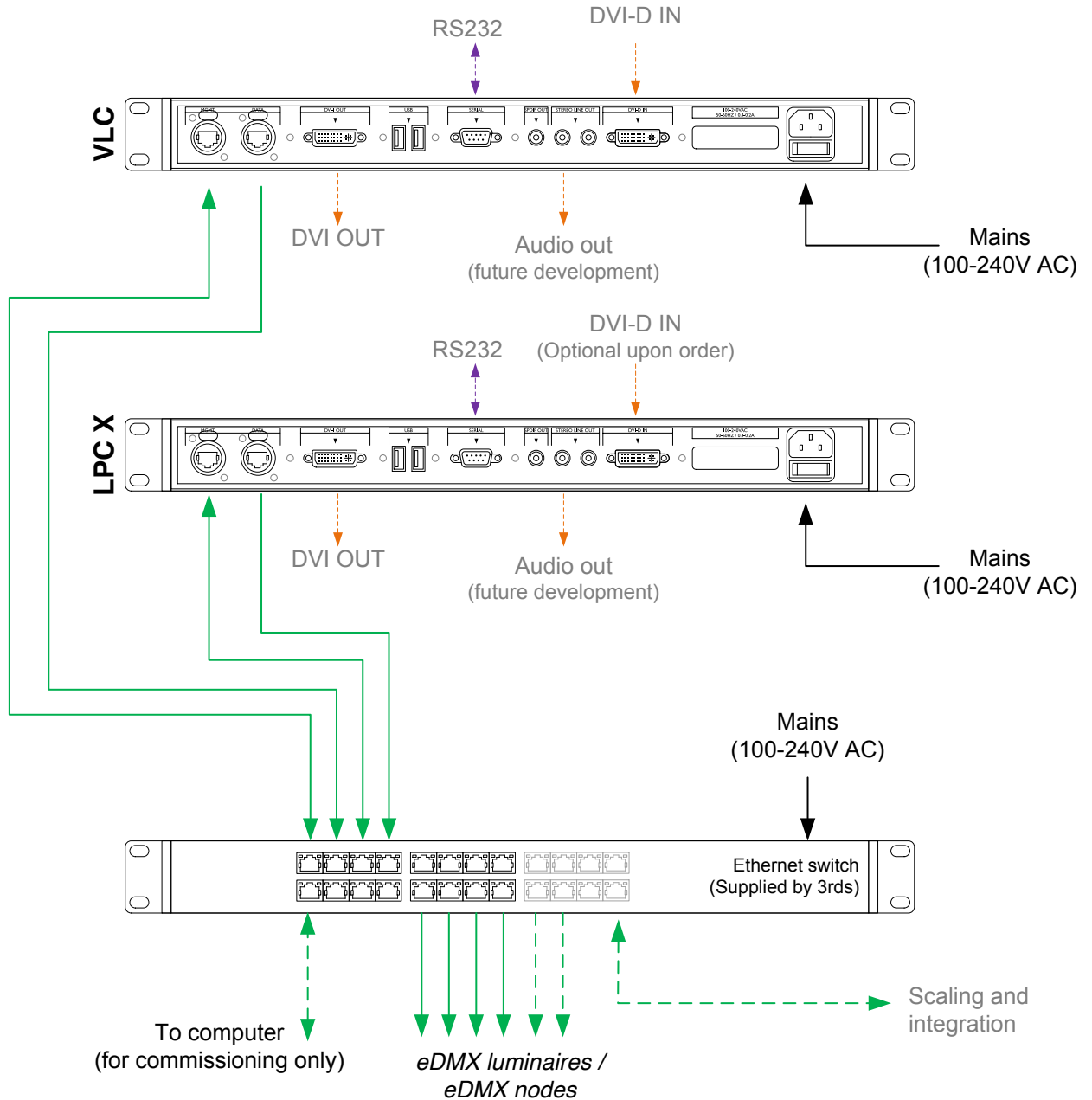


Type:	LPC X (X=10,20,30...100) (e.g. LPC 20) & VLC__ (__=50,100,250,500,1000,1500) (e.g. VLC100)
DMX	via eDMX to DMX nodes
eDMX	≤ __ *512 channels (LPC X) + __ *512 channels (VLC)
Total	≤ e.g. 10,240 + 51,200 channels

Note: VLC channels are used to control a single composition of fixtures. The LPC X can control its channels with complete freedom. The DVI-D input is local to the VLC / LPC X channels respectively.



- Consult the **Installation Guide** for technical details
- See **General Notes.pdf** for information on cabling types
- **More configurations** are possible to fulfil any project
- Contact your supplier or visit our website for support



pharoscontrols.com

Reference: 2015	Name: LPC X & VLC (single network)		
Size: A4	Date: 07/11/2016	Rev: V 1.0	Notes: Setup
Page:			