

Creating landmarks

Flexible Pitch, Full Colour RGBW Pixels

eldoLED PowerPIX 1 are strings of high-brightness, flexible pitch, individually controllable 1W RGBW LED pixels designed for high-power, medium resolution pixelated and dynamic full colour applications. The PowerPIX system can be seamlessly integrated into 2D and 3D architecture achieving extraordinary visual effects in full colour decoration and light sculptures. PowerPIX can also be used in applications such as TV studio lighting because of its standard HDTV camera friendly operation. PowerPIX combined with PowerBOX offers a fully integrated power, control and diagnostics solution.

Applications

- Free surface decoration
- Architectural lighting
- Façade lighting
- Entertainment lighting
- Stage lighting
- HD-TV studio lighting
- Retail lighting
- Display lighting
- Decorative lighting

Features & benefits

eldoLED PowerPIX: pixel modules

- LEDs: Nichia, discrete RGBW
- Colour resolution: 15-bit colour depth per colour (16 million colours)
- Luminous flux

Clear dome: Red 3.3 lm	Opal dome: Red 2.4 lm
Green 9.0 lm	Green 6.9 lm
Blue 2.3 lm	Blue 1.7 lm
White 9.5 lm (4,000K)	White 7.2 lm
RGBW 22.9 lm	RGBW 10.3 lm
- Lens: opal or clear dome, 160° beam angle and 110° Full Width Half Maximum
- Housing: PA white and black
- Efficacy: 15.7 lm / W
- Operating voltage: 24 VDC
- Pixel power: 1W per pixel, power scaling

PowerBOX: power, control and diagnostics

- Power supply unit: universal voltage, 150W, indoor and IP65 versions, 24VDC
- Data: DMX512A and RDM compatible for auto-addressing and system diagnostics
- PowerBOX Addresser: included in PowerBOX

Manufactured to order

- Interpixel spacing: to order, minimum distance 60mm /2.36" (center to center)
- Lens: clear, opal dome or diffuser
- Standard 60 pixels per string / 2 strings per PowerBOX. Alternate versions upon request.

Product offering

Description

eldoLED PowerPIX 160, clear lens, 60 modules on cable, for use with PowerBOX
 eldoLED PowerPIX 160, frosted lens, 60 modules on cable, for use with PowerBOX
 PowerBOX 155, 150W, DMX, for use with PowerPIX 1
 PowerBOX 156, 150W, DMX, IP65, for use with PowerPIX 1

Product

PowerPIX 160
 PowerPIX 160
 PowerBOX 155
 PowerBOX 156

Order no.

PX0160S1
 PX0160F1
 PB015001
 PB015011



eldoLED PowerPIX 1

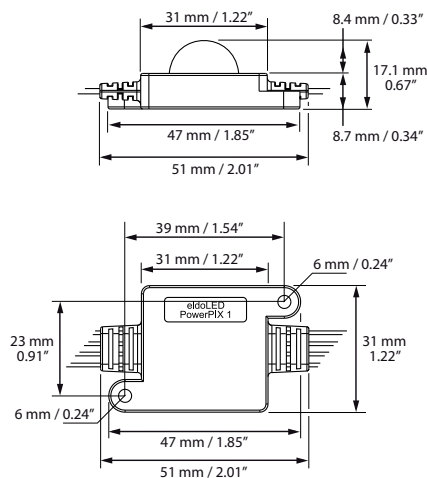


eldoLED PowerBOX 155

Dimensions and weight

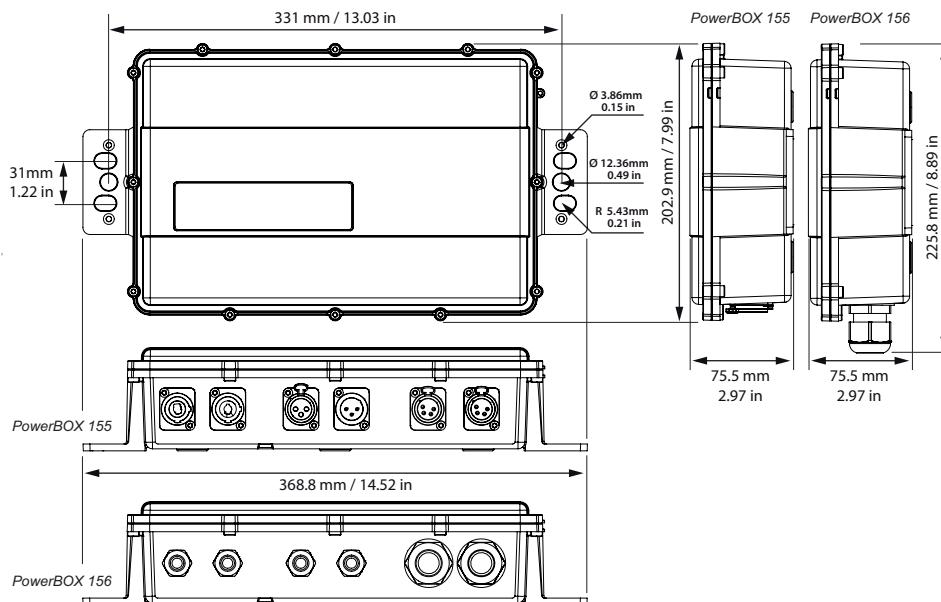
PowerPIX 1

Weight: 61g, 2.2 oz



PowerBOX 155/156

Weight: 2,150 g, 76 oz



Connections

Connectors PowerPIX string

- Cable: 4-position, sealed connectors
- Pixels: 4-pole IP67 sockets (2x, in and out)

Connectors PowerBOX 155

- AC mains input: powerCON lockable 3-pole AC connector
- AC mains thru: powerCON lockable 3-pole AC connector
- DMX-in: 3-pole male XLR connector (Shield, Data-, Data+)
- DMX-thru: 3-pole female XLR connector (Shield, Data-, Data+)
- eldoLED PowerPIX: two 4-pole female XLR connectors

PowerBOX 156: glands for all connections

Other information

Certifications

- IEC 61347, EN 55015, IEC 61003, EN 61547

Control compatibility

- DMX512A, RDM Explore & Address (ANSI E1.20), RDM diagnostics

Environmental ratings

- Ta range: -40°C...+50°C / -40°F...+122°F
- Tstorage: -40°C...+95°C / -40°F...+203°F
- For use in dry locations

Europe, Rest of World

eldoLED B.V.
Luchthavenweg 18a
NL-5657 EB Eindhoven
The Netherlands
T: +31 40 2054050
F: +31 40 2054058

North America

eldoLED America, Inc.
1762 Technology Drive #226
San Jose, CA 95110
USA
T: +1 408 451 9333
F: +1 408 451 9335

Other documentation and support

Visit www.eldoled.com/support for further documentation such as quick start guide, wiring diagram, tech sheet and 3D IGES files.

Warranty

eldoLED represents and warrants that for a period of 3 (three) years, as of the date of invoice, Products materially meet the specifications and specifically agreed upon quality, both as stated in the applicable datasheet and/or written design-in specifications, or as stated in writing otherwise by eldoLED, provided that these specifications are explicitly designated by eldoLED as "warranted specifications".

For the complete warranty text, visit www.eldoled.com/terms.