

Light
is our passion



DALI Dimmable LED Drivers

ECOdrive is a family of programmable digital LED drivers that provides standard LED fixtures with the smoothest flicker-free 1% dimming. It is dimmable via DALI and has a single configurable constant current LED output, making it simple to design in. It also incorporates LEDcode technology, enabling the output to be programmed over a wide application area and simple extension of the feature set to include time, motion and brightness based intelligence.

Applications

- Open office space lighting
- Healthcare lighting
- Hospitality lighting
- High and Low Bay lighting
- Retail lighting

Features & benefits

Features

- Hybrid HydraDrive: provides the smoothest flicker-free high-performance dimming to 1%, for every fixture
- LEDcode technology: configurable design to work with most constant current LED modules and arrays, while providing a connection point to integrated peripheral controls
- NTC interface for robust thermal management

Benefits

- Increase performance and capability of any LED fixture
- Reduce inventory and decrease lead times with configurable drivers
- Short lead times, designed to meet the most aggressive timelines
- Trusted brand with proven track record of performance and reliability



Product offering

Description

ECOdrive, 30W, DALI, constant current, 1x 55V LED output, bottom feed, metal square
 ECOdrive, 30W, DALI, constant current, 1x 55V LED output, side feed, metal square
 ECOdrive, 30W, DALI, constant current, 1x 55V LED output, side feed, plastic long
 ECOdrive, 50W, DALI, constant current, 1x 55V LED output, side feed, metal square

Product

ECO 360/B
 ECO 360/S
 ECO 360/A
 ECO 560/S

Order no.

EC0360B1
 EC0360S1
 EC0360A1
 EC0560S1

Technical specifications

Input

- Voltage: AC 120-277V
- Current: max 0.7A
- Frequency: 47 - 63Hz

Output

- Class 2 LED output
- Voltage: 55V max
- Current range: settable from 200mA to 1,050mA in 25mA steps
- Power: 50W max (560/S) or 30W (360/A, 360/B and 360/S)

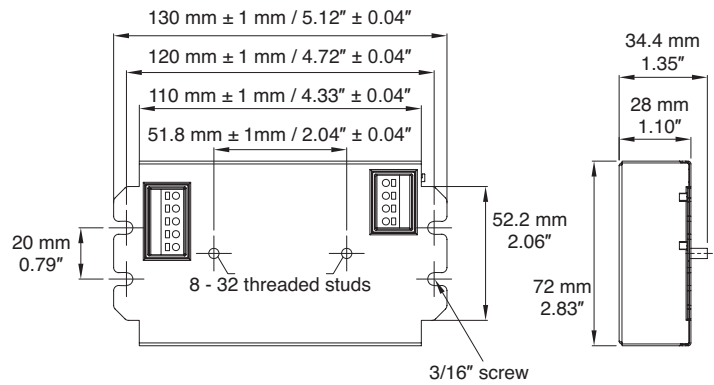
General

- Power factor: > 0.90 at full load
- DALI compatible
- Highly efficient over a wide power and voltage range: 89% at full load, ≥ 85% above 67% load
- Maximum (rated) power available over wide LED voltage (30-55V) and LED current range (200-1,050mA)

Dimensions, weight & packaging

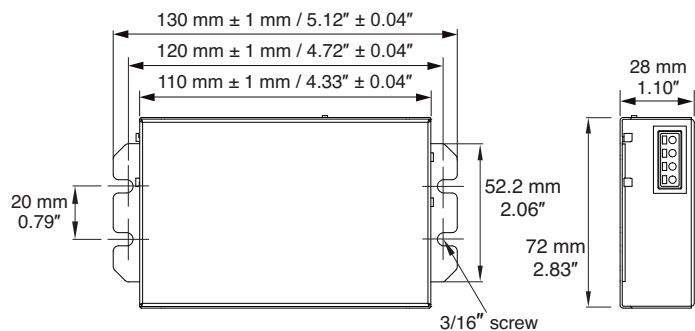
ECOdrive 360/B

- Weight: 285.5 g, 10.07 oz
- Packaging: 40pcs/carton



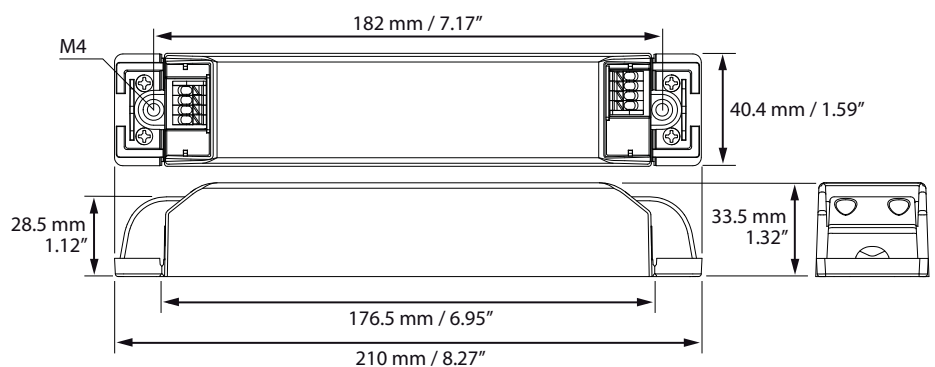
ECOdrive 360/S

- Weight: 285.5 g, 10.07 oz
- Packaging: 40pcs/carton

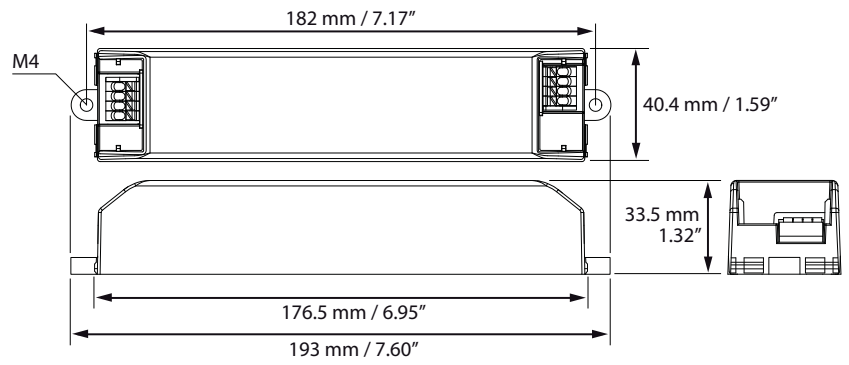


ECOdrive 360/A (independent)

- Weight: 225 g, 7.94 oz
- Packaging: 40pcs/carton

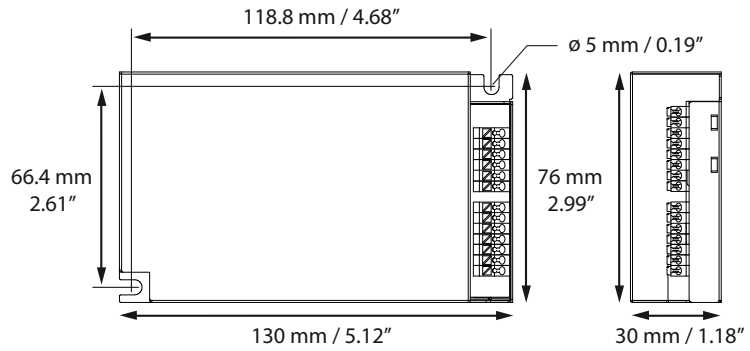


- When modified into a non-independent driver by removing driver ends and caps, ECOdrive 360/A weighs 212 g, 7.48 oz



ECOdrive 560/S

- Weight: 350 g, 12.35 oz
- Packaging: 45pcs/carton



Connections ECOdrive 360/B and 360/S

	Connection type	Color	AWG	Strip length
Line voltage in	Push-in connector	Black, white, green	20-16AWG 0.5 - 1.5 mm ²	9mm, 11/32"
DALI		Violet, Violet		
LED output		Red, black		
LEDcode/NTC		Yellow, yellow		

Connections ECOdrive 360/A and 560/S

	Connection type	Color	AWG	Strip length
Line voltage in	Push-in connector	Blue, brown, green*	20-16AWG 0.5 - 1.5 mm ²	9mm, 11/32"
DALI		Orange, orange		
LED output		Grey, black		
LEDcode/NTC		Yellow, yellow		

* ECOdrive 360/A does not have ground connection

LEDcode configuration

- USB-LEDcode interface: TOOLbox pro (part number: TLU20503)
- FluxTool software: for Mac and PC freely downloadable from www.eldoled.com/fluxtool

Other information

Environmental ratings

- For use in damp and dry locations
- Temperature data:

	ECOdrive 360/B	ECOdrive 360/S	ECOdrive 360/A	ECOdrive 560/S
Ta range	-20°C...+50°C	-20°C...+50°C	-20°C...+50°C	-20°C...+50°C
Tc max	80 °C	80 °C	85 °C	85 °C
Tc lifetime	75 °C	75 °C	80 °C	78 °C

Control compatibility

- DALI control gear

Certifications

- CE
- EN 61347-1 / -2-7 / -2-13, EN 62384, EN 55015, EN 55022, EN 61000-3-2, EN 61547, EN 62386-101/102/207
- UL: Recognized Component for US and Canada (file no. E333135), according to UL1310 and UL8750. US: Class 2 output.
Canada: Non-Class 2 output.
- ENEC by DEKRA
- EL



Europe, Rest of World

eldoLED B.V.
 Science Park Eindhoven 5125
 NL-5692 ED Son
 The Netherlands
 T: +31 40 2054050
 F: +31 40 2054058

North America

eldoLED America, Inc.
 1762 Technology Drive #226
 San Jose, CA 95110
 USA
 T: +1 408 451-9333
 F: +1 408 451-9335

Other documentation and support

Visit www.eldoled.com/support for further documentation such as quick start guide, wiring diagram, tech sheet and 3D IGES files.

Warranty

eldoLED represents and warrants that for a period of 5 (five) years, as of the date of invoice, Products materially meet the specifications and specifically agreed upon quality, both as stated in the applicable data-sheet and/or written design-in specifications, or as stated in writing otherwise by eldoLED, provided that these specifications are explicitly designated by eldoLED as "warranted specifications".

For the complete warranty text, visit www.eldoled.com/terms.

Sales support US/Canada: nasales@eldoled.com
 Sales support Rest of the World: sales@eldoled.com